

金輪牌工業用縫紉機

GOLDEN WHEEL INDUSTRIAL SEWING MACHINE

零件分解圖

PARTS BOOK

MODEL: CS-1904 CS-1906

CS-1909 CS-1912

CS-1917P

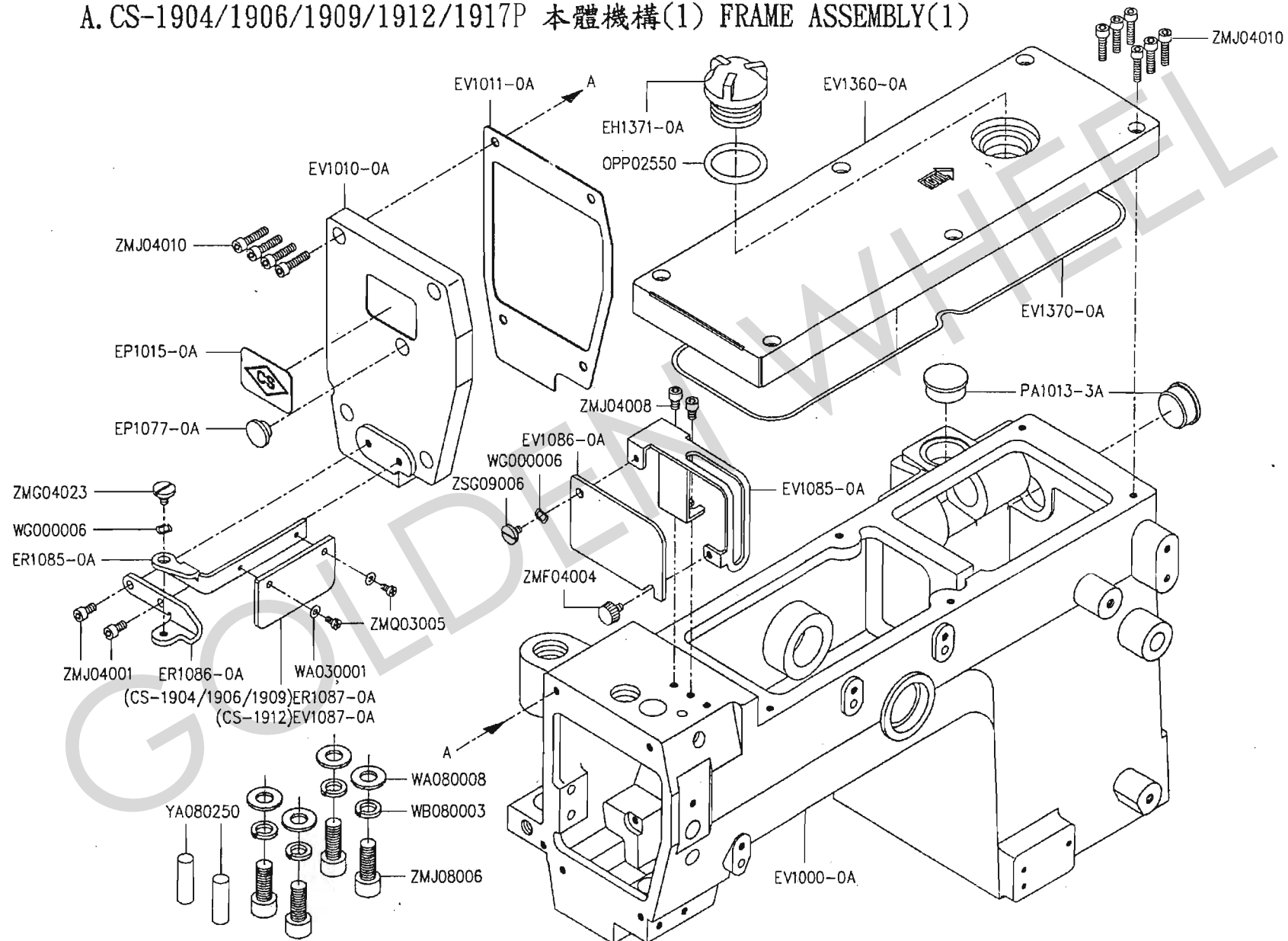
啟翔股份有限公司

CHEE SIANG INDUSTRIAL CO., LTD.

MODEL : CS-1904/1906/1909/1912/1917P

索引	INDEX	PAGE
A、本體機構(1)	FRAME ASSEMBLY(1)	2-3
B、本體機構(2)	FRAME ASSEMBLY(2)	4-5
C、本體機構(2)	FRAME ASSEMBLY(2)	6-7
D、系調子機構	THREAD TENSION MECHANISM	8-9
E、系調子機構	THREAD TENSION MECHANISM	10-11
F、套管機構	BUSHING	12-13
G、針棒腳弓機構	NEEDLE BAR MECHANISM	14-15
H、下軸機構	CRANKSHAFT MECHANISM	16-17
I、送料機構	FEED MECHANISM	18-19
J、鉤線機構	LOOPER MECHANISM	20-21
K、押腳機構	PRESSER FOOT MECHANISM	22-23
L、給油機構	LUBRICATION MECHANISM	24-25
M、後皮帶輪機構	REAR PULLER MECHANISM	26-27
N、後皮帶輪機構	REAR PULLER MECHANISM	28-29
O、後皮帶輪機構	REAR PULLER MECHANISM	30-31
P、滾筒機構	GUIDE ROLLER MECHANISM	32-33
Q、PMD 機構	METERING DEVICE MECHANISM	34-35
R、PMD 機構	METERING DEVICE MECHANISM	36-37
S、針位組	GAUGE PARTS	38-39
T、針位表	GAUGE PARTS TABLE	40-41
U、線架組	THREAD STAND	42-43
V、附件	ACCESSORIES	44-45
W、零件號碼與頁數對照	NUMERICAL PARTS-LIST	46-49

A. CS-1904/1906/1909/1912/1917P 本體機構(1) FRAME ASSEMBLY(1)



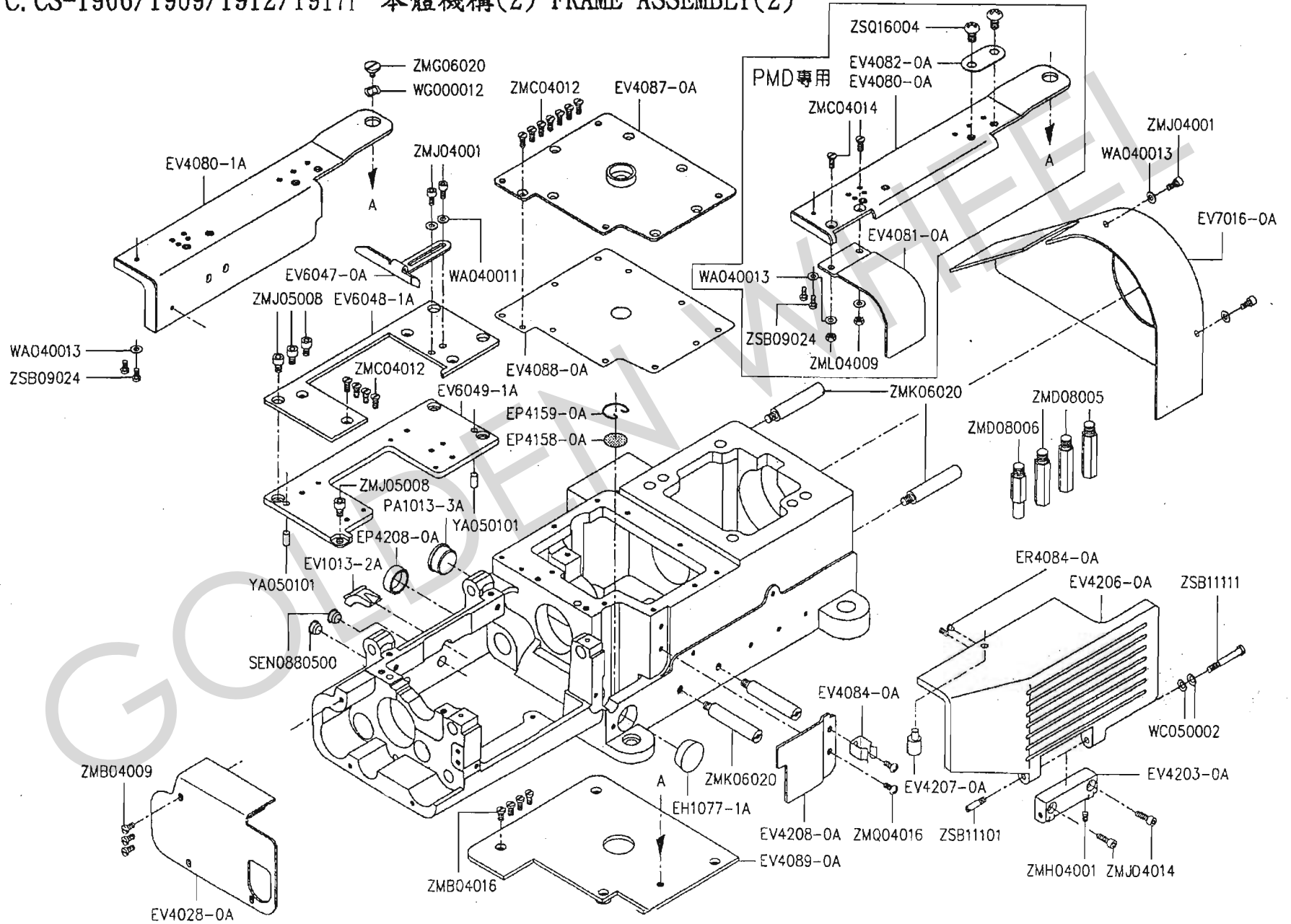
A、CS-1904/1906/1909/1912/1917P 本體機構(1) FRAME ASSEMBLY(1)

零件號碼 Part No	零件名稱	Name of Part	件數 Q, TY	備註 Remarks
EH1371-0A	油蓋	OIL SIGHT WINDOW	1	
EP1015-0A	銘板	CS MARK	1	
EP1077-0A	塞子	PLUG	1	
ER1085-0A	支持板	BRACKET	1	
ER1086-0A	支持板	BRACKET	1	
ER1087-0A	護目鏡	EYE GUARD	1	
EV1000-0A	車頭	ARM BED	1	
EV1010-0A	面板	HEAD COVER	1	
EV1011-0A	墊片	GASKET	1	
EV1085-0A	護目鏡支持架	NEEDLE BAR COVER	1	
EV1086-0A	護目鏡	COVER	1	
EV1087-0A	護目鏡	EYE GUARD	1	CS-1912
EV1360-0A	頂蓋	TOP COVER	1	
EV1370-0A	密封圈	GASKET	1	
OPPO2550	O形環	O RING	1	
PA1013-3A	塞子	PLUG	2	
WA030001	平墊圈	WASHER	2	
WA080008	平墊圈	WASHER	4	
WB080003	彈簧墊圈	SPRING WASHER	4	
WG000006	波形墊圈	WASHER	2	
YA080250	平行銷	PIN	2	
ZMF04004	螺絲	SCREW (M4-0.7x5.2)	1	
ZMG04023	螺絲	SCREW (M4-0.7x4)	1	
ZMJ04001	螺絲	SCREW (M4-0.7x8)	2	
ZMJ04008	螺絲	SCREW (M4-0.7x6)	3	
ZMJ04010	螺絲	SCREW (M4-0.7x20)	8	
ZMJ08006	螺絲	SCREW (M8-1.25x25)	4	
ZMQ03005	螺絲	SCREW (M3-0.5x6)	2	
ZSG09006	螺絲	SCREW (SM9/64-40x6.7)	1	

B、CS-1904 本體機構(2) FRAME ASSEMBLY(2)

零件號碼 Part No	零件名稱 Name of Part	件數 Q, TY	零件號碼 Part No	零件名稱 Name of Part	件數 Q, TY	備註 Remar
EH1077-1A	塞子 ----- PLUG -----	1	WA040011	平墊圈 ---- WASHER -----	2	
EP4158-0A	濾網片 ----- OIL FILTER SCREEN -----	1	WA040013	平墊圈 ---- WASHER -----	6	
EP4159-0A	彈簧圈 ----- CLAMP -----	1	WA050002	平墊圈 ---- WASHER -----	1	
EP4208-0A	油蓋 ----- OIL SEAL -----	1	WC050002	盤形墊圈 -- SPRING WASHER -----	2	
ER4084-0A	塞子 ----- CUSHION RUBBER -----	1	WG000912	波形墊圈 -- WASHER -----	1	
EV1013-2A	塞子 ----- PLUG -----	1	YA050101	平行銷 ---- PIN -----	2	
EV4000-0A	底座 ----- BED -----	1	ZMB04007	螺絲 ----- SCREW (M4-0.7x5) -----	1	
EV4028-0A	側蓋 ----- COVER -----	1	ZMB04009	螺絲 ----- SCREW (M4-0.7x6) -----	3	
EV4080-0A	前面板(一) - FRONT COVER -----	1	ZMB04016	螺絲 ----- SCREW (M4-0.7x10) -----	4	
EV4080-1A	前面板(一) - FRONT COVER -----	1	ZMC04012	螺絲 ----- SCREW (M4-0.7x8) -----	11	
EV4081-0A	前面板(二) - COVER -----	1	ZMC04014	螺絲 ----- SCREW (M4-0.7x10) -----	2	
EV4082-0A	墊片 ----- WASHER -----	1	ZMD08005	螺絲 ----- SCREW (M8-1.25x8) -----	3	
EV4083-0A	彈簧扣鈎 --- SPRING -----	2	ZMD08006	螺絲 ----- SCREW (M8-1.25x8) -----	1	
EV4084-0A	彈簧扣鈎 --- SPRING -----	2	ZMG06020	螺絲 ----- SCREW (M6-1.0x5) -----	1	
EV4085-0A	螺絲 ----- SCREW -----	1	ZMH04001	螺絲 ----- SCREW (M4-0.7x4) -----	2	
EV4087-0A	按鈕座組 --- COVER -----	1	ZMJ04001	螺絲 ----- SCREW (M4-0.7x8) -----	4	
EV4088-0A	墊片 ----- GASKET -----	1	ZMJ04014	螺絲 ----- SCREW (M4-0.7x14) -----	2	
EV4089-0A	上蓋 ----- UPPER COVER -----	1	ZMJ05008	螺絲 ----- SCREW (M5-0.8x10) -----	4	
EV4203-0A	前蓋樞紐 --- HINGE -----	1	ZMK06020	螺絲 ----- SCREW (M6-1.0) -----	4	
EV4206-0A	前蓋 ----- FRONT COVER -----	1	ZML04009	螺帽 ----- NUT (M4-0.7) -----	2	
EV4207-0A	銷 ----- PIN -----	1	ZMQ04016	螺絲 ----- SCREW (M4-0.7x8) -----	2	
EV4208-0A	油蓋板 ----- OIL FENCE -----	1	ZSB09024	螺絲 ----- SCREW (SM9/64-40x4) -----	2	
EV6047-0A	定位器 ----- FABRIC GUIDE (RIGHT) -----	1	ZSB11101	螺絲 ----- SCREW (SM11/64-40x6) -----	1	
EV6048-0A	針板上台蓋 - COVER -----	1	ZSB11111	螺絲 ----- SCREW (SM11/64-40x10) -----	1	
EV6049-0A	針板支持板 - NEEDLE PLATE SUPPORT BRACKET -----	1	ZSQ16004	螺絲 ----- SCREW (SM1/4-20x8) -----	2	
EV7016-0A	皮帶蓋 ----- PULLEY COVER -----	1				
PA1013-3A	盲栓 ----- SEAL CAP -----	1				
SEN0880500	栓 ----- PLUG -----	2				

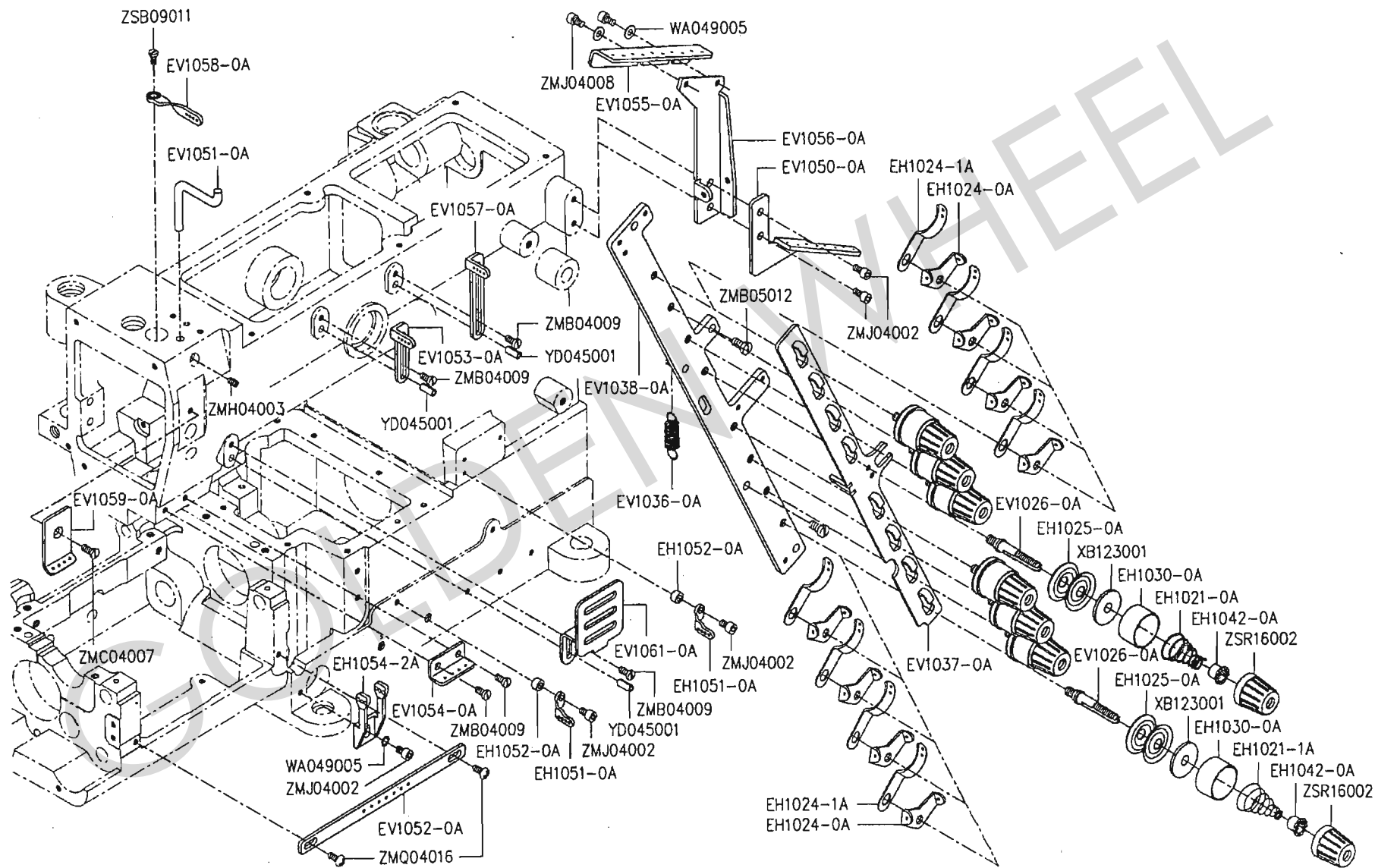
C. CS-1906/1909/1912/1917P 本體機構(2) FRAME ASSEMBLY(2)



C、CS-1906/1909/1912/1917P 本體機構(2) FRAME ASSEMBLY(2)

零件號碼 Part No	零件名稱 Name of Part	件數 Q, TY	零件號碼 Part No	零件名稱 Name of Part	件數 Q, TY	備註 Remar
EH1077-1A	塞子 ----- PLUG -----	1	WA040011	平墊圈 ---- WASHER -----	2	
EP4158-0A	濾網片 ----- OIL FILTER SCREEN -----	1	WA040013	平墊圈 ---- WASHER -----	6	
EP4159-0A	彈簧圈 ----- CLAMP -----	1	WC050002	盤形墊圈 -- SPRING WASHER -----	2	
EP4208-0A	油蓋 ----- OIL SEAL -----	1	WG000012	波形墊圈 -- WASHER -----	1	
ER4084-0A	塞子 ----- CUSHION RUBBER -----	1	YA050101	平行銷 ---- PIN -----	2	
EV1013-2A	塞子 ----- PLUG -----	1	ZMB04009	螺絲 ----- SCREW (M4-0.7x6) -----	3	
EV4000-0A	底座 ----- BED -----	1	ZMB04016	螺絲 ----- SCREW (M4-0.7x10) -----	4	
EV4028-0A	側蓋 ----- COVER -----	1	ZMC04012	螺絲 ----- SCREW (M4-0.7x8) -----	11	
EV4080-0A	前面板(一) - FRONT COVER -----	1	ZMC04014	螺絲 ----- SCREW (M4-0.7x10) -----	2	
EV4080-1A	前面板(一) - FRONT COVER -----	1	ZMD08005	螺絲 ----- SCREW (M8-1.25x8) -----	3	
EV4081-0A	前面板(二) - COVER -----	1	ZMD08006	螺絲 ----- SCREW (M8-1.25x8) -----	1	
EV4082-0A	墊片 ----- WASHER -----	1	ZMG06020	螺絲 ----- SCREW (M6-1.0x5) -----	1	
EV4083-0A	彈簧扣鉤 --- SPRING -----	2	ZMH04001	螺絲 ----- SCREW (M4-0.7x4) -----	2	
EV4084-0A	彈簧扣鉤 --- SPRING -----	1	ZMJ04001	螺絲 ----- SCREW (M4-0.7x8) -----	2	
EV4085-0A	螺絲 ----- SCREW -----	1	ZMJ04014	螺絲 ----- SCREW (M4-0.7x14) -----	2	
EV4087-0A	按鈕座組 --- COVER -----	1	ZMJ05008	螺絲 ----- SCREW (M5-0.8x10) -----	3	
EV4088-0A	墊片 ----- GASKET -----	1	ZMK06020	螺絲 ----- SCREW (M6-1.0) -----	4	
EV4089-0A	上蓋 ----- UPPER COVER -----	1	ZML04009	螺帽 ----- NUT (M4-0.7) -----	2	
EV4203-0A	前蓋樞紐 --- HINGE -----	1	ZMQ04016	螺絲 ----- SCREW (M4-0.7x8) -----	2	
EV4206-0A	前蓋 ----- FRONT COVER -----	1	ZSB09024	螺絲 ----- SCREW (SM9/64-40x4) -----	4	
EV4207-0A	銷 ----- PIN -----	1	ZSB11101	螺絲 ----- SCREW (SM11/64-40x6) -----	1	
EV4208-0A	油蓋板 ----- OIL FENCE -----	1	ZSB11111	螺絲 ----- SCREW (SM11/64-40x10) -----	1	
EV6047-0A	定位器 ----- FABRIC GUIDE (RIGHT) -----	1	ZSQ16004	螺絲 ----- SCREW (SM1/4-20x8) -----	2	
EV6048-1A	針板土台蓋 - COVER -----	1				
EV6049-1A	針板支持板 - NEEDLE PLATE SUPPORT BRACKET -	1				
EV7016-0A	皮帶蓋 ----- PULLEY COVER -----	1				
PA1013-3A	盲栓 ----- SEAL CAP -----	1				
SEN0880500	栓 ----- PLUG -----	2				

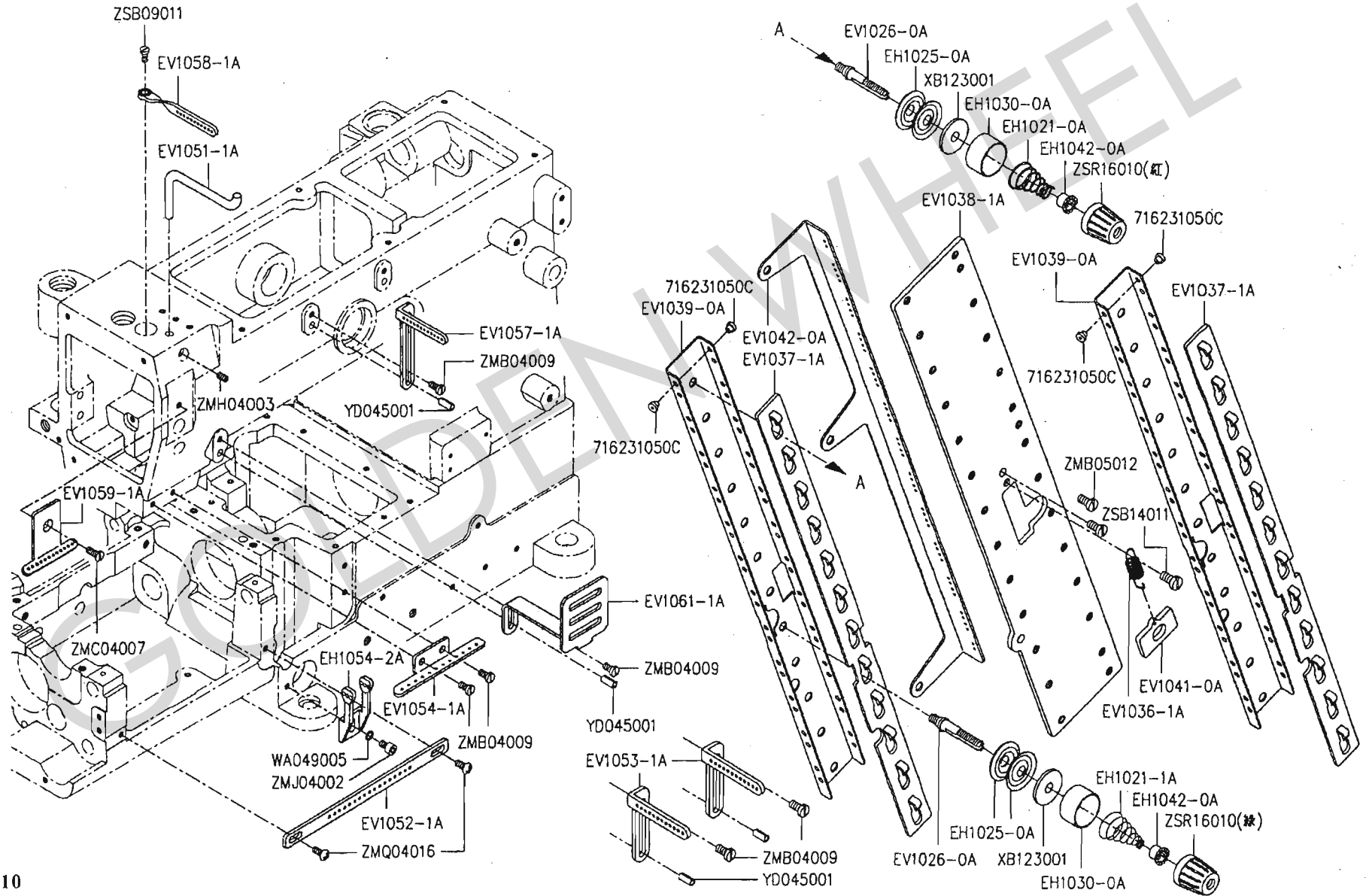
D. CS-1904 系調子機構 THREAD TENSION MECHANISM



D、CS-1904 系調子機構 THREAD TENSION MECHANISM

零件號碼 Part No	零件名稱 Name of Part	件數 Q, TY	零件號碼 Part No	零件名稱 Name of Part	件數 Q, TY	備註 Remar
EH1021-0A	調整彈簧 --- SPRING (HEAVY) -----	4	WA049005	平墊圈 ---- WASHER -----	2	
EH1021-1A	調整彈簧 --- SPRING (LIGHT) -----	4	XB123001	油棉 ----- OIL FELT -----	8	
EH1024-0A	線掛 ----- THREAD GUIDE -----	8	YD045001	彈簧銷 ---- SPRING PIN -----	3	
EH1024-1A	線掛 ----- THREAD GUIDE -----	8	ZMB04009	螺絲 ----- SCREW (M4-0.7x6) -----	5	
EH1025-0A	壓線盤 ----- TENSION DISC -----	16	ZMB05012	螺絲 ----- SCREW (M5-0.8x9) -----	2	
EH1030-0A	外殼 ----- SPRING CUP -----	8	ZMC04007	螺絲 ----- SCREW (M4-0.7x7.3) -----	1	
EH1042-0A	彈簧座 ----- SPRING POST -----	8	ZMH04003	螺絲 ----- SCREW (M4-0.7x5) -----	1	
EH1051-0A	線掛 ----- THREAD EYELET -----	2	ZMJ04002	螺絲 ----- SCREW (M4-0.7x10) -----	5	
EH1052-0A	墊圈 ----- COLLAR -----	2	ZMJ04008	螺絲 ----- SCREW (M4-0.7x6) -----	2	
EH1054-2A	線掛 ----- THREAD EYELET -----	1	ZMQ04016	螺絲 ----- SCREW (M4-0.7x8) -----	2	
EV1026-0A	調整螺絲棒 - SCREW STUD -----	8	ZSB09011	螺絲 ----- SCREW (SM9/64-40x6.5) -----	2	
EV1036-0A	拉伸彈簧 --- SPRING -----	1	ZSR16002	螺帽 ----- NUT (SM1/4-40) -----	8	
EV1037-0A	沙拉組調節板 THREAD RELEASER -----	1				
EV1038-0A	沙拉組固定板 BRACKET -----	1				
EV1050-0A	線掛 ----- THREAD EYELET -----	1				
EV1051-0A	線掛 ----- THREAD TAKE-UP PLATE -----	1				
EV1052-0A	線掛 ----- THREAD EYELET -----	1				
EV1053-0A	線掛 ----- THREAD EYELET -----	1				
EV1054-0A	線掛 ----- THREAD EYELET -----	1				
EV1055-0A	線掛 ----- THREAD GUIDE -----	1				
EV1056-0A	線掛 ----- BRACKET -----	1				
EV1057-0A	線掛 ----- THREAD EYELET -----	1				
EV1058-0A	線掛 ----- THREAD EYELET -----	1				
EV1059-0A	線掛 ----- THREAD EYELET -----	1				
EV1061-0A	線掛擋板 --- COVER -----	1				

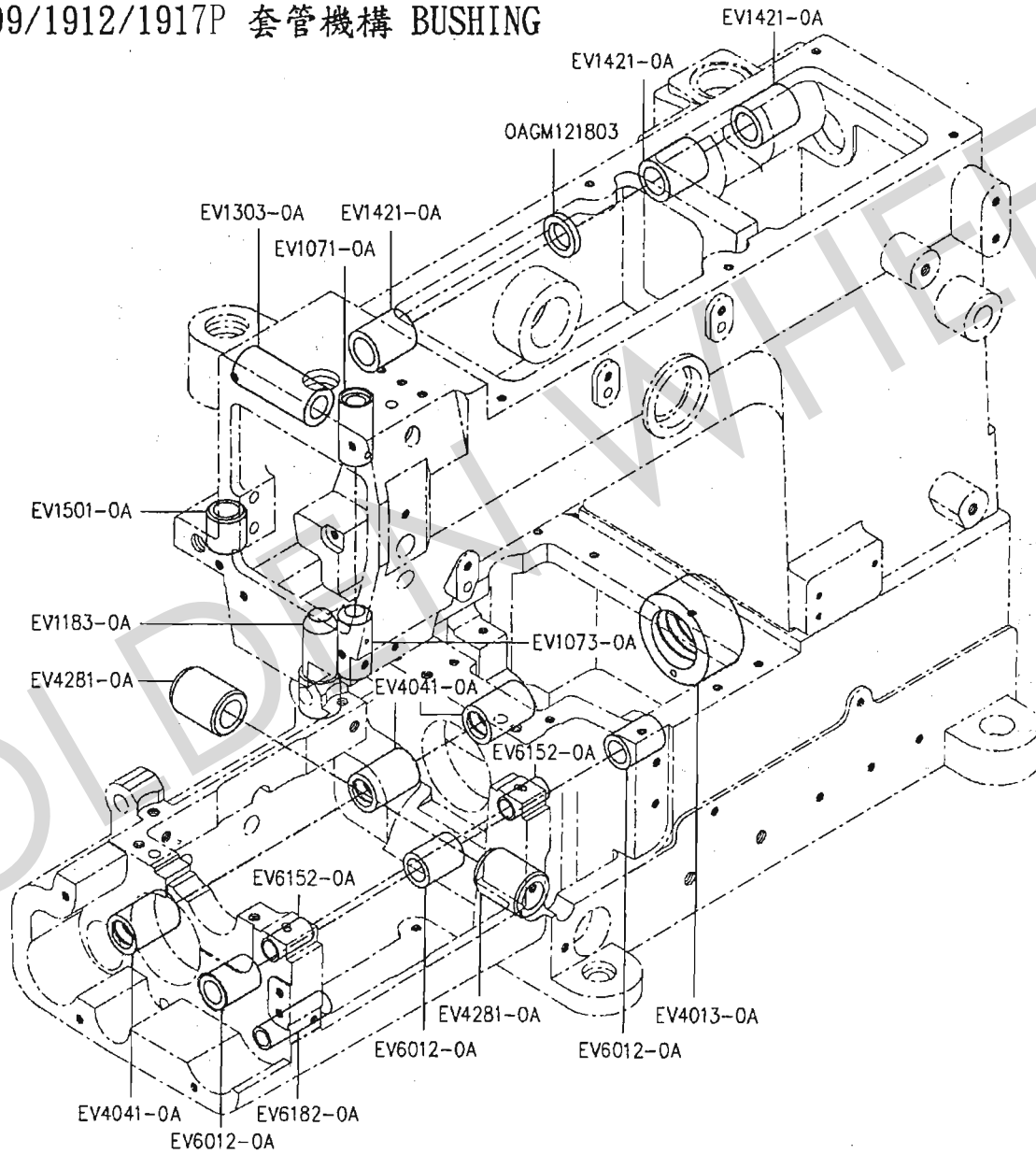
E. CS-1906/1909/1912/1917P 系調子機構 THREAD TENSION MECHANISM



E、CS-1906/1909/1912/1917P 系調子機構 THREAD TENSION MECHANISM

零件號碼 Part No	零件名稱 Name of Part	件數 Q, TY	零件號碼 Part No	零件名稱 Name of Part	件數 Q, TY	備註 Remar
716231050C	線掛 -----	48	XB123001	油棉 -----	24	
EH1021-0A	調整彈簧 ---	12	YD045001	彈簧銷 ----	4	
EH1021-1A	調整彈簧 ---	12	ZMB04009	螺絲 -----	6	
EH1025-0A	壓線盤 -----	48	ZMB05012	螺絲 -----	2	
EH1030-0A	外殼 -----	24	ZMC04007	螺絲 -----	1	
EH1042-0A	彈簧座 -----	24	ZMH04003	螺絲 -----	1	
EH1054-2A	線掛 -----	1	ZMJ04002	螺絲 -----	1	
EV1026-0A	調整螺絲棒 -	24	ZMQ04016	螺絲 -----	2	
EV1036-1A	拉伸彈簧 ---	1	ZSB09011	螺絲 -----	2	
EV1037-1A	沙拉組調節板	2	ZSB14011	螺絲 -----	1	
EV1038-1A	沙拉組固定板	1	ZSR16010	螺帽 -----	12	紅
EV1039-0A	線掛 -----	2	ZSR16010	螺帽 -----	12	綠
EV1041-0A	驅動板 -----	1				
EV1042-0A	線掛 -----	1				
EV1051-1A	線掛 -----	1				
EV1052-1A	線掛 -----	1				
EV1053-1A	線掛 -----	2				
EV1054-1A	線掛 -----	1				
EV1057-1A	線掛 -----	1				
EV1058-1A	線掛 -----	1				
EV1059-1A	線掛 -----	1				
EV1061-1A	線掛擋板 ---	1				

F. CS-1904/1906/1909/1912/1917P 套管機構 BUSHING

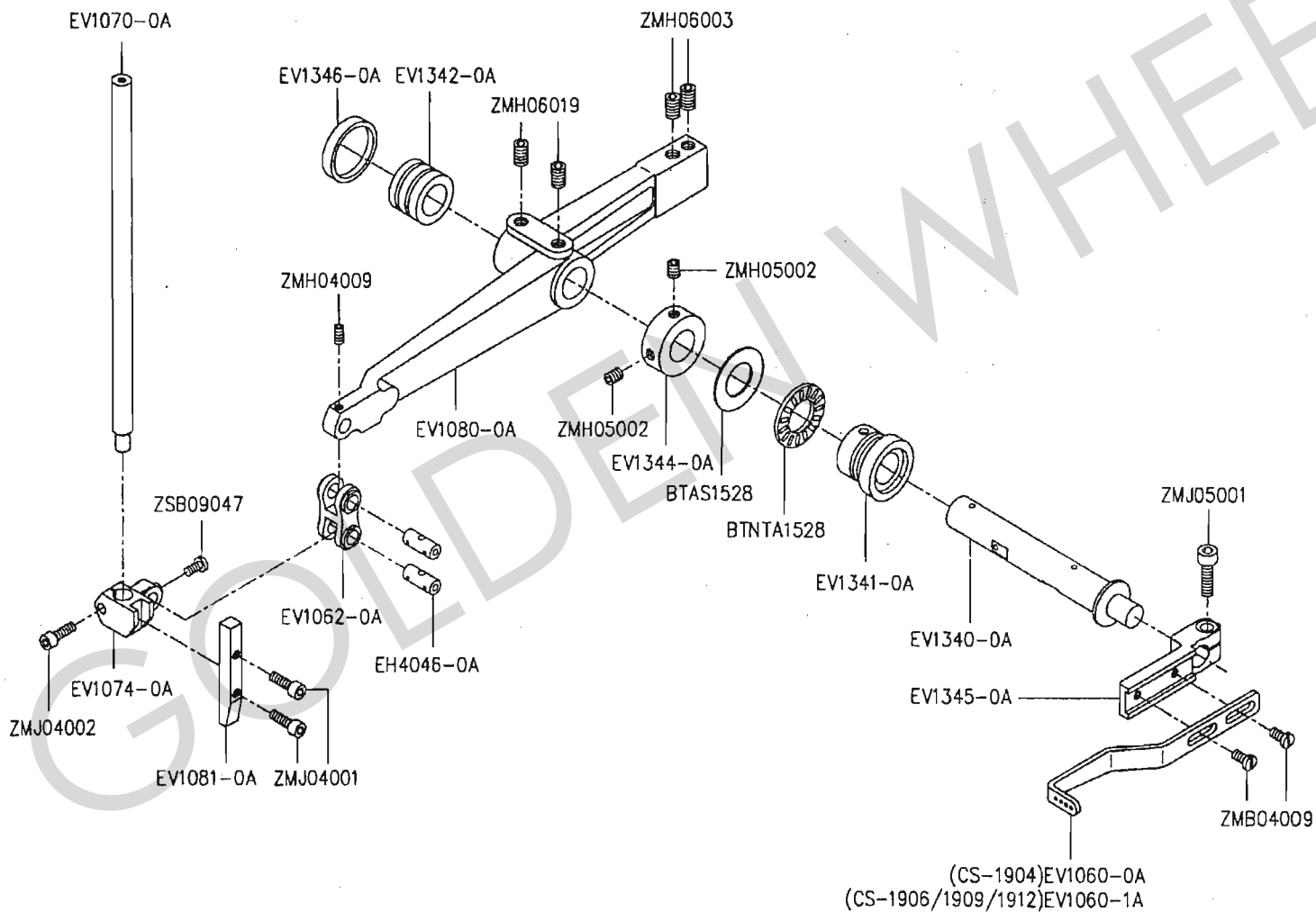


F、CS-1904/1906/1909/1912/1917P 套管機構 BUSHING

零件號碼 Part No	零件名稱	Name of Part	件數 Q, TY	備註 Remarks
EV1071-0A	針棒套管(上)	BUSHING	1	
EV1073-0A	針棒套管(下)	BUSHING	1	
EV1183-0A	押棒套管	BUSHING	1	
EV1303-0A	套管	BUSHING	1	
EV1421-0A	套管	BUSHING	3	
EV1501-0A	套管	BUSHING	1	
EV4013-0A	套管	BUSHING	1	
EV4041-0A	套管	BUSHING	3	
EV4281-0A	套管	BUSHING	2	
EV6012-0A	套管	BUSHING	3	
EV6152-0A	套管	BUSHING	2	
EV6182-0A	套管	BUSHING	1	
OAGM121803	油封	OIL SEAL	1	

GOLDEN WHEEL

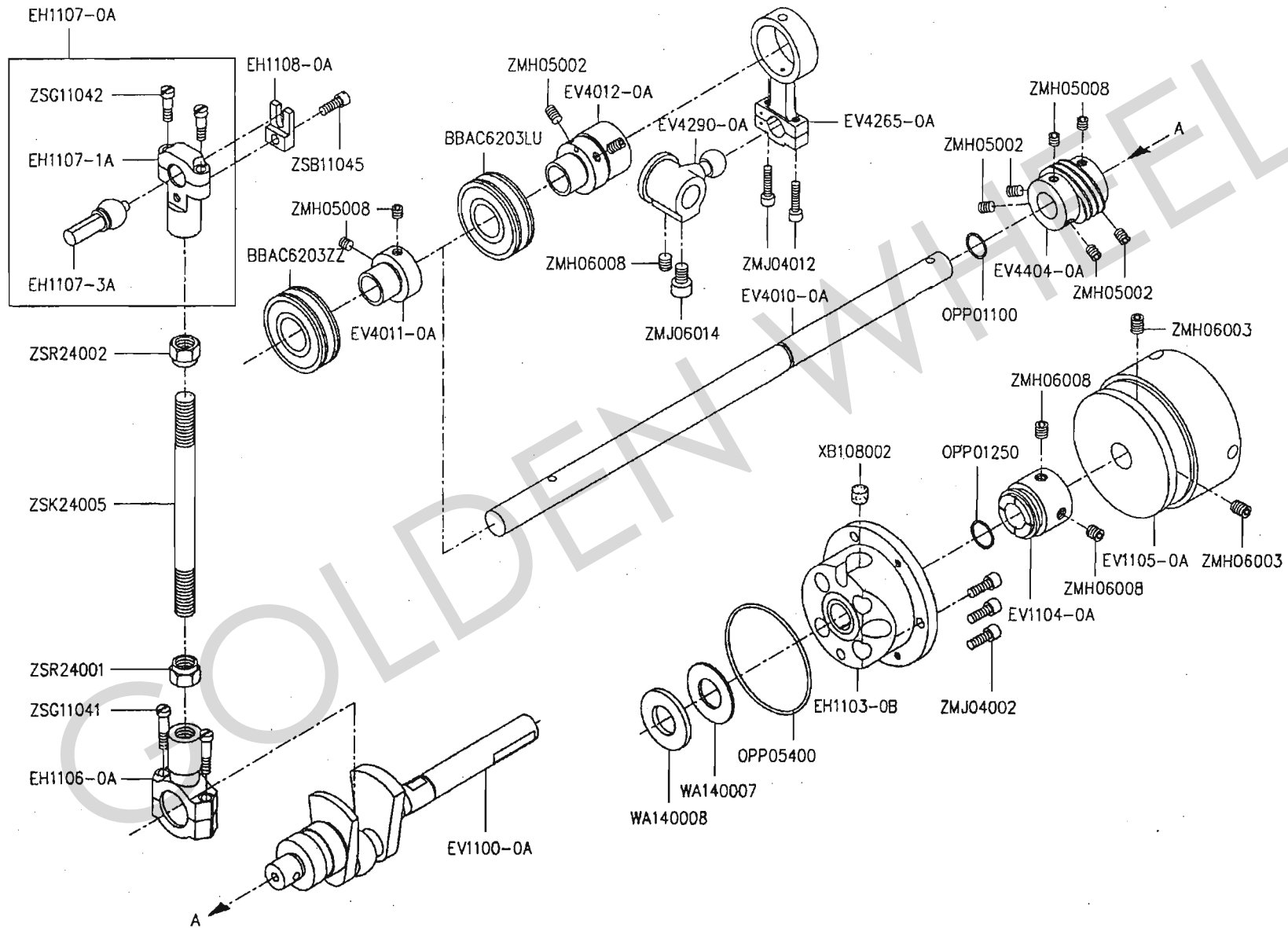
G. CS-1904/1906/1909/1912/1917P 針棒腳弓機構 NEEDLE BAR MECHANISM



G、CS-1904/1906/1909/1912/1917P 針棒腳弓機構 NEEDLE BAR MECHANISM

零件號碼 Part No	零件名稱	Name of Part	件數 Q, TY	備註 Remarks
BTAS1528	墊片	WASHER	2	
BTNTA1528	止推軸承	BEARING	1	
EH4046-0A	銷	PIN	2	
EV1060-0A	線掛	THREAD EYELET	1	CS-1904
EV1060-1A	線掛	THREAD EYELET	1	
EV1062-0A	連桿	LINK	1	
EV1070-0A	針棒	NEEDLE BAR	1	
EV1074-0A	針棒固定器	NEEDLE BAR CLAMP	1	
EV1080-0A	搖臂	NEEDLE LEVER	1	
EV1081-0A	針棒導板	NEEDLE BAR GUIDE	1	
EV1340-0A	搖臂銷	NEEDLE LEVER STUD	1	
EV1341-0A	搖臂套管	BUSHING	1	
EV1342-0A	套管	BUSHING	1	
EV1344-0A	定環	COLLAR	1	
EV1345-0A	線掛支持架	BRACKET	1	
EV1346-0A	油蓋	OIL SEAL	1	
ZMB04009	螺絲	SCREW (M4-0.7x6)	2	
ZMH04009	螺絲	SCREW (M4-0.7x5)	1	
ZMH05002	螺絲	SCREW (M5-0.8x6)	2	
ZMH06003	螺絲	SCREW (M6-1.0x8)	2	
ZMH06019	螺絲	SCREW (M6-0.75x9)	2	
ZMJ04001	螺絲	SCREW (M4-0.7x8)	2	
ZMJ04002	螺絲	SCREW (M4-0.7x10)	1	
ZMJ05001	螺絲	SCREW (M5-0.8x14)	1	
ZSB09047	螺絲	SCREW (SM9/64-40x7)	1	

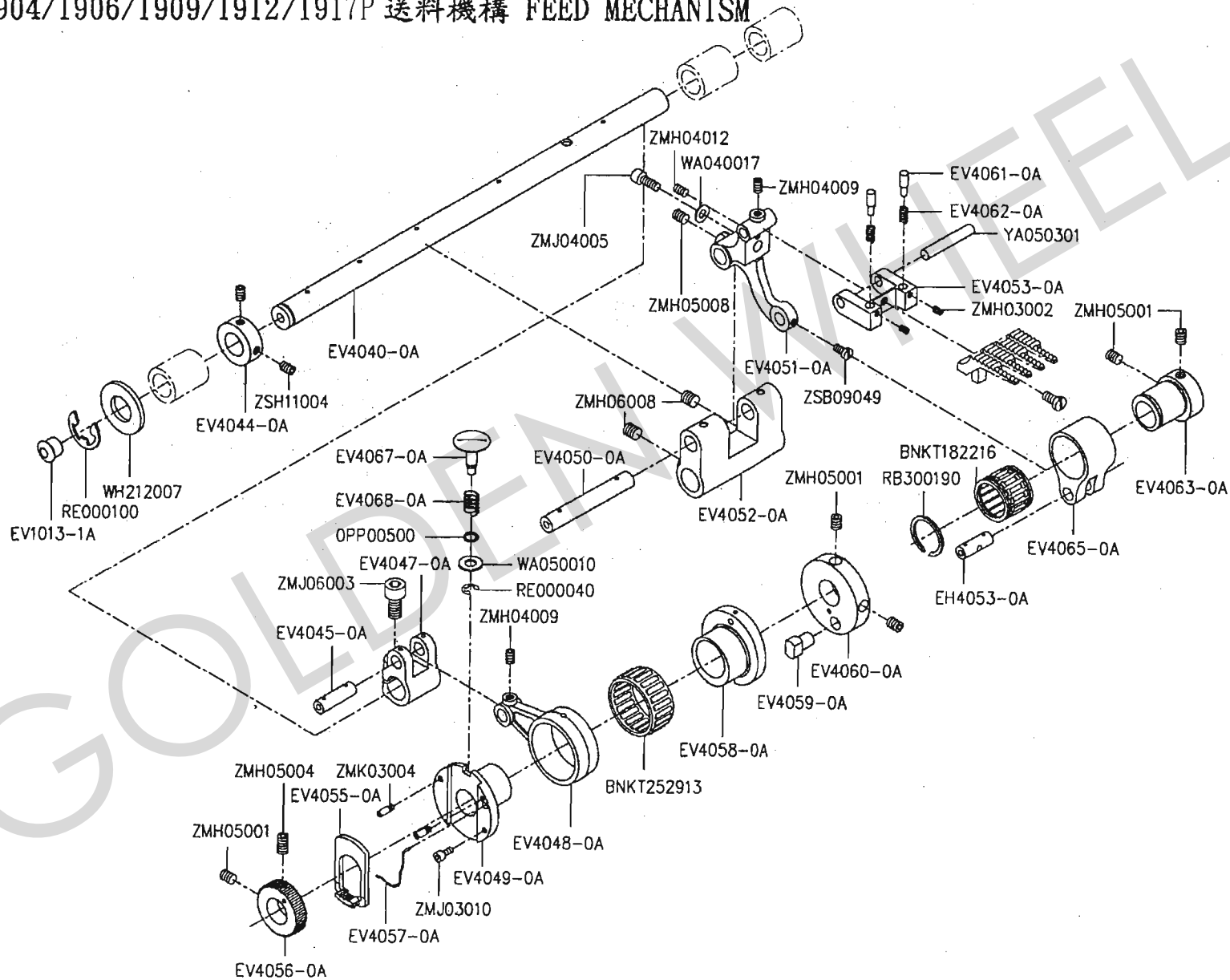
H. CS-1904/1906/1909/1912/1917P 下軸機構 CRANKSHAFT MECHANISM



H-CS-1904/1906/1909/1912/1917P 下軸機構 CRANKSHAFT MECHANISM

零件號碼 Part No	零件名稱 Name of Part	件數 Q, TY	零件號碼 Part No	零件名稱 Name of Part	件數 Q, TY	備註 Remar
BBAC6203LU	軸承 ----- BEARING -----	1	OPP01100	O 形環 ---- O RING -----	1	
BBAC6203ZZ	軸承 ----- BEARING -----	1	OPP01250	O 形環 ---- O RING -----	1	
EH1103-0B	法蘭軸承 --- FLANGE -----	1	OPP05400	O 形環 ---- O RING -----	1	
EH1106-0A	球接頭 ---- BALL JOINT -----	1	WA140007	平墊圈 ---- WASHER -----	1	
EH1107-0A	球接頭組 --- CONNECTING ROD ASS'Y -----	1	WA140008	平墊圈 ---- WASHER -----	1	
EH1107-1A	球接頭(小) - BALL JOINT -----	1	XB108002	油棉 ---- OIL FELT -----	1	
EH1107-3A	連接棒 ---- CONNECTING ROD BALL -----	1	ZMH05002	螺絲 ---- SCREW (M5-0.8x6) -----	6	
EH1108-0A	連接棒導板 - GUIDE -----	1	ZMH05008	螺絲 ---- SCREW (M5-0.8x6) -----	4	
EV1100-0A	曲軸 ---- CRANK SHAFT -----	1	ZMH06003	螺絲 ---- SCREW (M6-1.0x8) -----	2	
EV1104-0A	襯套 ---- COLLAR -----	1	ZMH06008	螺絲 ---- SCREW (M6-1.0x6) -----	3	
EV1105-0A	皮帶輪 ---- PULLEY -----	1	ZMJ04002	螺絲 ---- SCREW (M4-0.7x10) -----	3	
EV4010-0A	主軸 ---- SHAFT -----	1	ZMJ04012	螺絲 ---- SCREW (M4-0.7x16) -----	2	
EV4011-0A	軸承襯套 --- SLEEVE -----	1	ZMJ06014	螺絲 ---- SCREW (M6-1.0x9.5) -----	1	
EV4012-0A	軸承襯套 --- ECCENTRIC -----	1	ZSB11045	螺絲 ---- SCREW (SM11/64-40x10.5) -	1	
EV4265-0A	連接器 ---- CONNECTING ROD -----	1	ZSG11041	螺絲 ---- SCREW (SM11/64-40x10) ---	2	
EV4290-0A	驅動腕 ---- CRANK ROD -----	1	ZSG11042	螺絲 ---- SCREW (SM11/64-40x7) ----	2	
EV4404-0A	齒輪 ---- SCREW GEAR -----	1	ZSK24005	螺絲 ---- SCREW (SM3/8-24) -----	1	
			ZSR24001	螺帽 ---- NUT (SM3/8-24) -----	1	
			ZSR24002	螺帽 ---- NUT (SM3/8-24) -----	1	

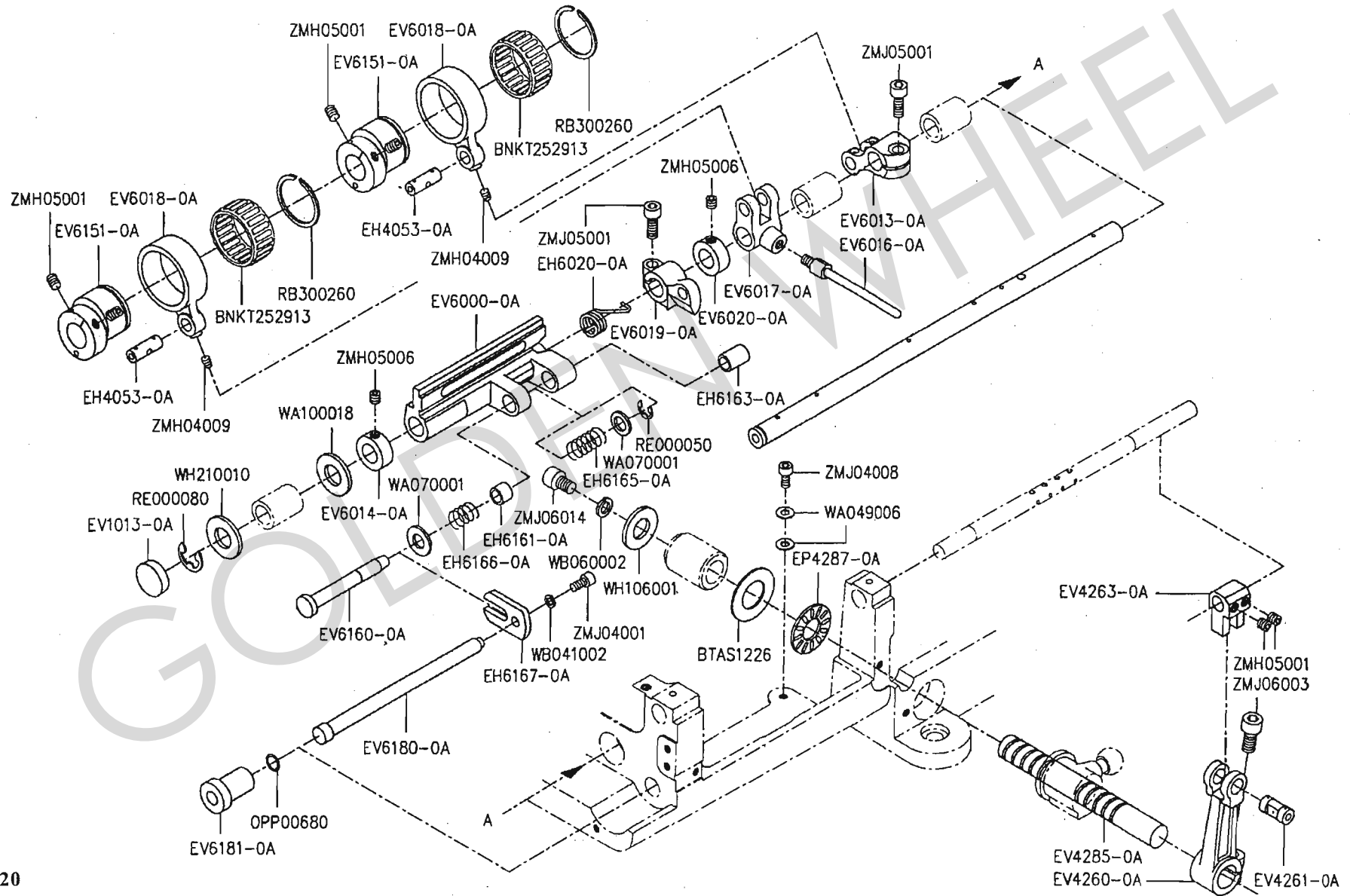
I. CS-1904/1906/1909/1912/1917P 送料機構 FEED MECHANISM



I、CS-1904-1906/1909/1912/1917P 送料機構 FEED MECHANISM

零件號碼 Part No	零件名稱 Name of Part	件數 Q, TY	零件號碼 Part No	零件名稱 Name of Part	件數 Q, TY	備註 Remar
BNKT182216	針狀軸承 --- BEARING	1	OPP00500	O 形環 --- O RING	1	
BNKT252913	針狀軸承 --- NEEDLE BEARING	1	RB300190	C 扣環 --- C RING	1	
EH4053-0A	銷 --- PIN	1	RE000040	E 扣環 --- E RING	1	
EV1013-1A	塞子 --- PLUG	1	RE000100	E 扣環 --- E RING	1	
EV4040-0A	軸 --- SHAFT	1	WA040017	平墊圈 --- WASHER	1	
EV4044-0A	定環 --- COLLAR	1	WA050010	平墊圈 --- WASHER	1	
EV4047-0A	送料軸腕 --- LEVER	1	WH212007	研磨墊圈 --- WASHER	1	
EV4048-0A	連桿 --- CONNECTING ROD	1	YA050301	平行銷 --- PIN	1	
EV4049-0A	送料調節環 --- FEED ECCENTRIC	1	ZMH03002	螺絲 --- SCREW (M3-0.5x3)	2	
EV4050-0A	軸 --- SHAFT	1	ZMH04009	螺絲 --- SCREW (M4-0.7x5)	2	
EV4051-0A	送料土台 --- FEED ROCKER	1	ZMH04012	螺絲 --- SCREW (M4-0.7x20)	1	
EV4052-0A	送料台 --- FEED ROCKER	1	ZMH05001	螺絲 --- SCREW (M5-0.8x5)	5	
EV4053-0A	送料齒支持台 --- FEED DOG HOLDER	1	ZMH05004	螺絲 --- SCREW (M5-0.8x10)	1	
EV4055-0A	送料調節板 --- REGULATING PLATE	1	ZMH05008	螺絲 --- SCREW (M5-0.8x6)	1	
EV4056-0A	送料齒輪 --- REGULATING GEAR	1	ZMH06008	螺絲 --- SCREW (M6-1.0x6)	2	
EV4057-0A	彈簧 --- SPRING	1	ZMJ03010	螺絲 --- SCREW (M3-0.5x6)	1	
EV4058-0A	送料偏心 --- ECCENTRIC	1	ZMJ04005	螺絲 --- SCREW (M4-0.7x12)	1	
EV4059-0A	滑塊 --- PIN	1	ZMJ06003	螺絲 --- SCREW (M6-1.0x14)	1	
EV4060-0A	送料偏心 --- ECCENTRIC COLLAR	1	ZMK03004	螺絲 --- SCREW (M3-0.5)	2	
EV4061-0A	調整銷 --- PIN	2	ZSB09049	螺絲 --- SCREW (SM9/64-40x6)	1	
EV4062-0A	彈簧 --- SPRING	2	ZSH11004	螺絲 --- SCREW (SM11/64-40x5)	2	
EV4063-0A	送料偏心 --- ECCENTRIC	1				
EV4065-0A	送料偏心連桿 --- LINK	1				
EV4067-0A	按鈕 --- PUSH BUTTON	1				
EV4068-0A	彈簧 --- SPRING	1				

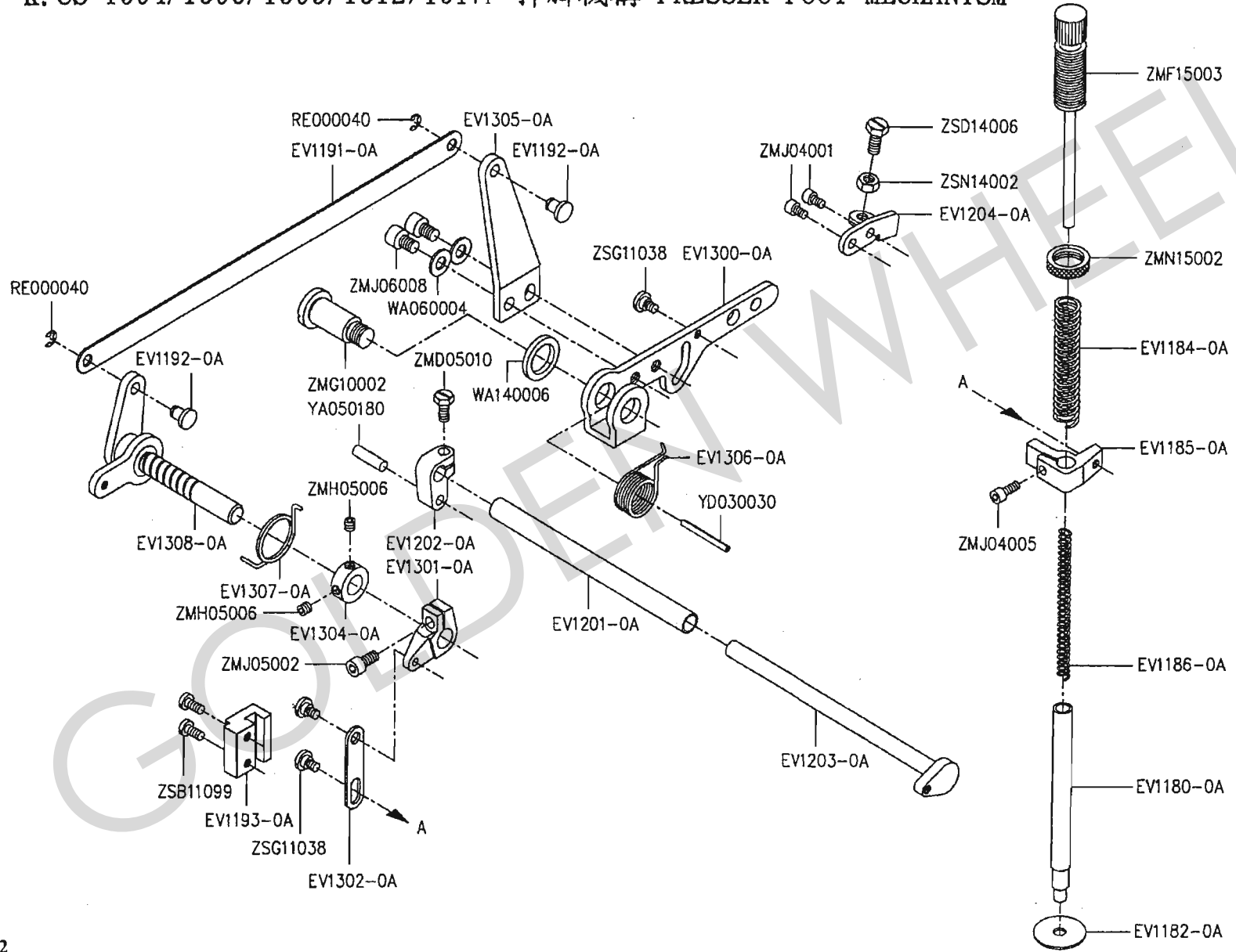
J. CS-1904/1906/1909/1912/1917P 鈎線機構 LOOPER MECHANISM



J、CS-1904/1906/1909/1912/1917P 鈎線機構 LOOPER MECHANISM

零件號碼 Part No	零件名稱 Name of Part	件數 Q, TY	零件號碼 Part No	零件名稱 Name of Part	件數 Q, TY	備註 Remar
BNKT252913	針狀軸承 --- NEEDLE BEARING	1	OPP00680	O形環 --- O RING	1	
BTAS1226	墊圈 --- WASHER	1	RB300260	C扣環 --- C RING	2	
EH4053-0A	銷 --- PIN	2	RE000050	E扣環 --- E RING	1	
EH6020-0A	彈簧 --- SPRING	1	RE000080	E扣環 --- E RING	1	
EH6161-0A	套管 --- BUSHING	1	WA049006	平墊圈 --- WASHER	2	
EH6163-0A	套管 --- BUSHING	1	WA070001	平墊圈 --- WASHER	2	
EH6165-0A	彈簧 --- SPRING	1	WB041002	彈簧墊圈 -- SPRING WASHER	1	
EH6166-0A	彈簧 --- SPRING	1	WB060002	彈簧墊圈 -- SPRING WASHER	1	
EH6167-0A	引出板 --- PLATE	1	WH106001	研磨墊圈 --- WASHER	1	
EP4287-0A	止推軸承 --- BEARING	1	WH210010	研磨墊圈 --- WASHER	1	
EV1013-0A	塞子 --- PLUG	1	ZMH04009	螺絲 --- SCREW (M4-0.7x5)	2	
EV4260-0A	連桿 --- LEVER	1	ZMH05001	螺絲 --- SCREW (M5-0.8x5)	6	
EV4261-0A	滑動銷 --- PIN	1	ZMH05006	螺絲 --- SCREW (M5-0.8x4)	2	
EV4263-0A	連桿 --- RETAINER BAR HOLDER	1	ZMJ04008	螺絲 --- SCREW (M4-0.7x6)	1	
EV4285-0A	軸 --- SHAFT	1	ZMJ05001	螺絲 --- SCREW (M5-0.8x14)	2	
EV6000-0A	鈎線台 --- LOOPER ROCKER	1	ZMJ06003	螺絲 --- SCREW (M6-1.0x14)	1	
EV6013-0A	連桿 --- LOOPER DRIVE LEVER	1	ZMJ06014	螺絲 --- SCREW (M6-1.0x9.5)	1	
EV6014-0A	定環 --- COLLAR	1				
EV6016-0A	連桿 --- TAKE-UP ROD	1				
EV6017-0A	壓線連結器 - TAKE-UP DRIVE LEVER	1				
EV6018-0A	連桿 --- ECCENTRIC LINK	2				
EV6019-0A	鈎線台擋塊 - LOOPER ROCKER STOPPER	1				
EV6020-0A	定環 --- COLLAR	1				
EV6151-0A	壓線偏心 --- ECCENTRIC	2				
EV6160-0A	定位銷 --- SHAFT	1				
EV6180-0A	引出軸 --- SHAFT	1				
EV6181-0A	套管 --- STUD	1				

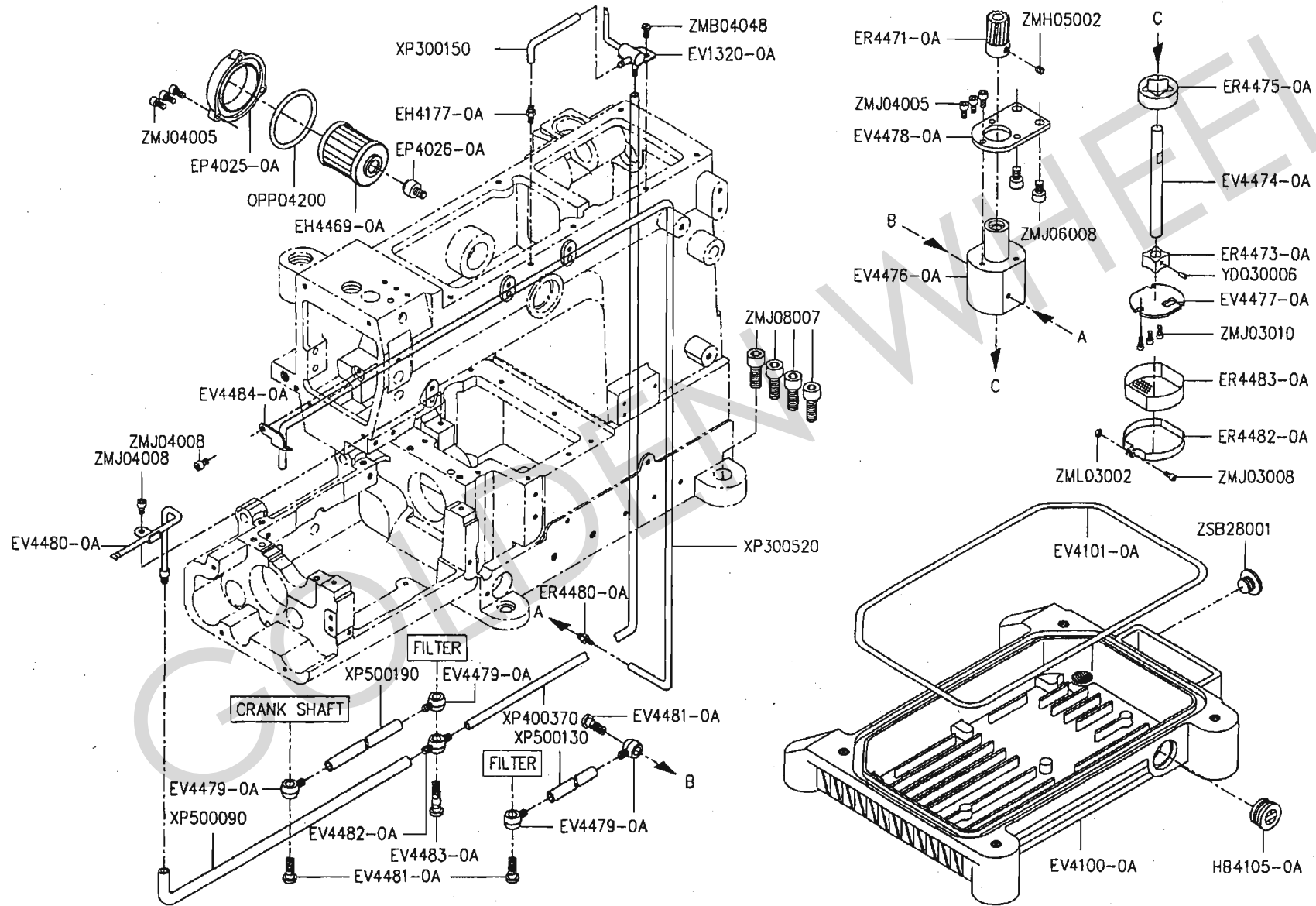
K. CS-1904/1906/1909/1912/1917P 押脚機構 PRESSER FOOT MECHANISM



K、CS-1904/1906/1909/1912/1917P 押腳機構 PRESSER FOOT MECHANISM

零件號碼 Part No	零件名稱 Name of Part	件數 Q, TY	零件號碼 Part No	零件名稱 Name of Part	件數 Q, TY	備註 Remar
EV1180-0A	押棒 ----- PRESSER BAR -----	1	RE000040	E扣環 ---- E RING -----	2	
EV1182-0A	防油墊 ----- SEAL -----	1	WA060004	平墊圈 ---- WASHER -----	2	
EV1184-0A	彈簧 ----- SPRING -----	1	WA140006	平墊圈 ---- WASHER -----	1	
EV1185-0A	押棒固定器 - PRESSER BAR CLAMP -----	1	YA050180	平行銷 ---- PIN -----	1	
EV1186-0A	壓縮彈簧 --- SPRING -----	1	YD030030	彈簧銷 ---- SPRING PIN -----	1	
EV1191-0A	連接板 ---- PLATE -----	1	ZMD05010	螺絲 ---- SCREW (M5-0.8x10) -----	1	
EV1192-0A	銷 ---- PIN -----	2	ZMF15003	螺絲 ---- SCREW (M15-1.0x32) -----	1	
EV1193-0A	導槽 ---- GUIDE -----	1	ZMG10002	螺絲 ---- SCREW (M10-1.5x9.5) -----	1	
EV1201-0A	軸套管 ---- PIPE -----	1	ZMH05006	螺絲 ---- SCREW (M5-0.8x4) -----	2	
EV1202-0A	提昇臂 ---- CRANK LEVER -----	1	ZMJ04001	螺絲 ---- SCREW (M4-0.7x8) -----	2	
EV1203-0A	搖動軸 ---- SHAFT -----	1	ZMJ04005	螺絲 ---- SCREW (M4-0.7x12) -----	1	
EV1204-0A	托架 ---- BRACKET -----	1	ZMJ05002	螺絲 ---- SCREW (M5-0.8x12) -----	1	
EV1300-0A	連桿 ---- LEVER -----	1	ZMJ06008	螺絲 ---- SCREW (M6-1.0x12) -----	2	
EV1301-0A	連桿 ---- LEVER -----	1	ZMN15002	螺帽 ---- NUT (M15-1.0) -----	1	
EV1302-0A	連桿 ---- PLATE -----	1	ZSB11099	螺絲 ---- SCREW (SM11/64-40x17.5) -----	2	
EV1304-0A	定位環 ---- COLLAR -----	1	ZSD14006	螺絲 ---- SCREW (SM7/32-32x21) -----	1	
EV1305-0A	連接板 ---- LEVER -----	1	ZSG11038	螺絲 ---- SCREW (SM11/64-40x5) -----	3	
EV1306-0A	彈簧 ---- SPRING -----	1	ZSN14002	螺帽 ---- NUT (SM7/32-32) -----	1	
EV1307-0A	彈簧 ---- SPRING -----	1				
EV1308-0A	連桿 ---- LEVER -----	1				

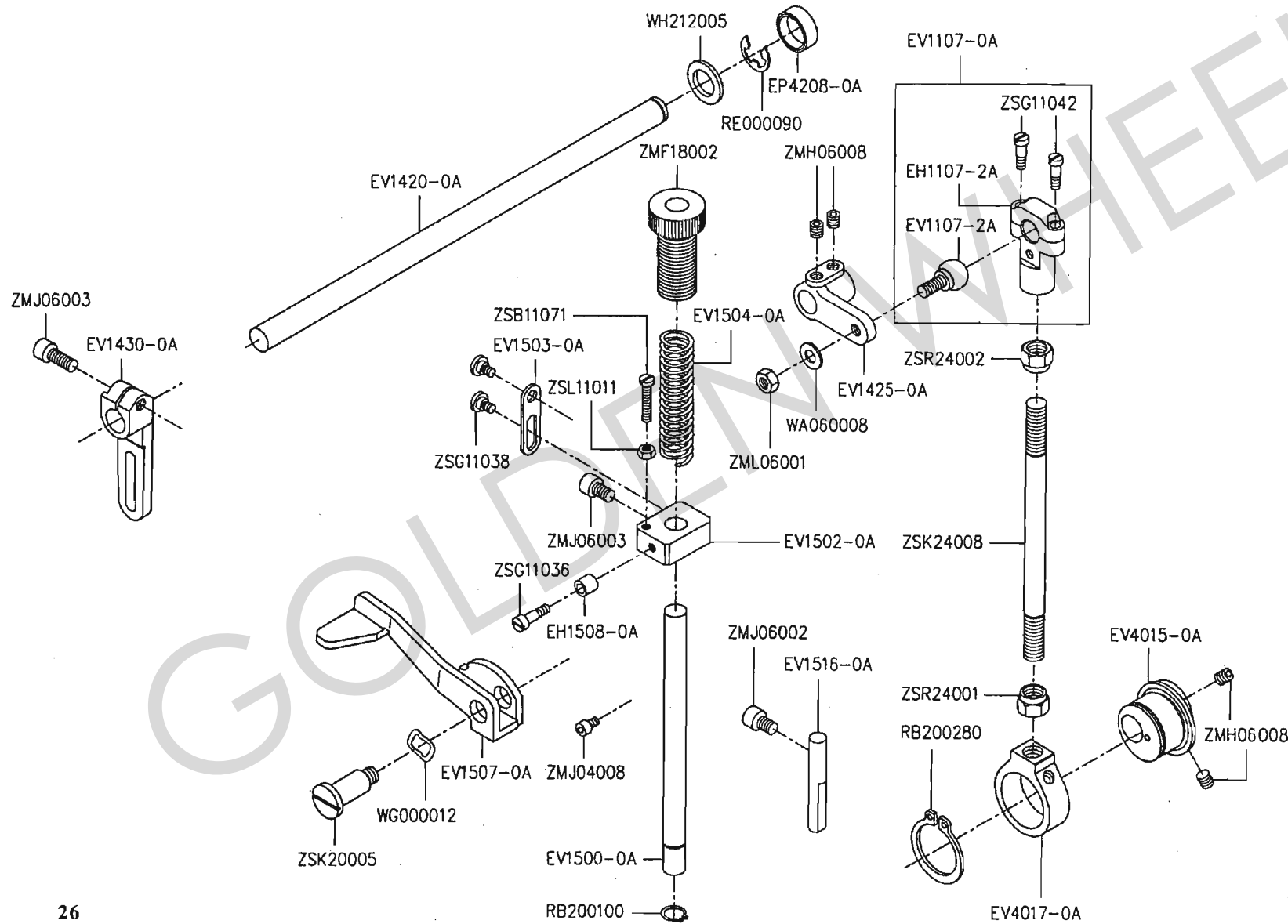
L. CS-1904/1906/1909/1912/1917P 給油機構 LUBRICATION MECHANISM



L、CS-1904/1906/1909/1912/1917P 給油機構 LUBRICATION MECHANISM

零件號碼 Part No	零件名稱 Name of Part	件數 Q, TY	零件號碼 Part No	零件名稱 Name of Part	件數 Q, TY	備註 Remar
EH4177-0A	接頭 ----- JOINT -----	1	OPP04200	O形環 ---- O RING -----	1	
EH4469-0A	油過濾器 --- OIL FILTER -----	1	XP300150	油管 ----- TUBE -----	1	
EP4025-0A	濾網蓋 ---- OIL FILTER CAP -----	1	XP300520	油管 ----- TUBE -----	1	
EP4026-0A	接頭 ----- JOINT -----	1	XP400370	油管 ----- TUBE -----	1	
ER4471-0A	齒輪 ----- PUMP GEAR -----	1	XP500090	油管 ----- TUBE -----	1	
ER4473-0A	內轉子 ---- INNER ROTER -----	1	XP500130	油管 ----- TUBE -----	1	
ER4475-0A	外轉子 ---- OUTER ROTER -----	1	XP500190	油管 ----- TUBE -----	1	
ER4480-0A	接頭 ----- JOINT -----	1	YD030006	彈簧銷 ---- SPRING PIN -----	1	
ER4482-0A	濾網固定夾 - CLAMP -----	1	ZMB04048	螺絲 ----- SCREW (M4-0.7x9.5) -----	1	
ER4483-0A	濾網 ----- PUMP MESH -----	1	ZMH05002	螺絲 ----- SCREW (M5-0.8x6) -----	1	
EV1320-0A	三通油管組 - OIL RELEASER -----	1	ZMJ03008	螺絲 ----- SCREW (M3-0.5x15) -----	1	
EV4100-0A	下油槽 ---- OIL RESERVOIR -----	1	ZMJ03010	螺絲 ----- SCREW (M3-0.5x6) -----	3	
EV4101-0A	下油槽墊圈 - O RING -----	1	ZMJ04005	螺絲 ----- SCREW (M4-0.7x12) -----	6	
EV4474-0A	軸 ----- PUMP SHAFT -----	1	ZMJ04008	螺絲 ----- SCREW (M4-0.7x6) -----	2	
EV4476-0A	泵浦主體 --- PUMP HOUSING -----	1	ZMJ06008	螺絲 ----- SCREW (M6-1.0x12) -----	2	
EV4477-0A	底蓋 ----- PLATE -----	1	ZMJ08007	螺絲 ----- SCREW (M8-1.25x20) -----	4	
EV4478-0A	支持架 ---- PLATE -----	1	ZML03002	螺帽 ----- NUT (M3-0.5) -----	1	
EV4479-0A	連接座 ---- JOINT -----	4	ZSB28001	螺絲 ----- SCREW (SM7/16-28x7) -----	1	
EV4480-0A	給油組 ---- OIL DISTRIBUTOR -----	1				
EV4481-0A	油路螺絲 --- JOINT SCREW -----	3				
EV4482-0A	連接座 ---- JOINT -----	1				
EV4483-0A	油路螺絲 --- JOINT SCREW -----	1				
EV4484-0A	油管支持板 - TUBE HOLDER -----	1				
HB4105-0A	油鏡 ----- OIL SIGHT GAUGE -----	1				

M. CS-1904/1906/1909/1912/1917P 後皮帶輪機構 REAR PULLER MECHANISM



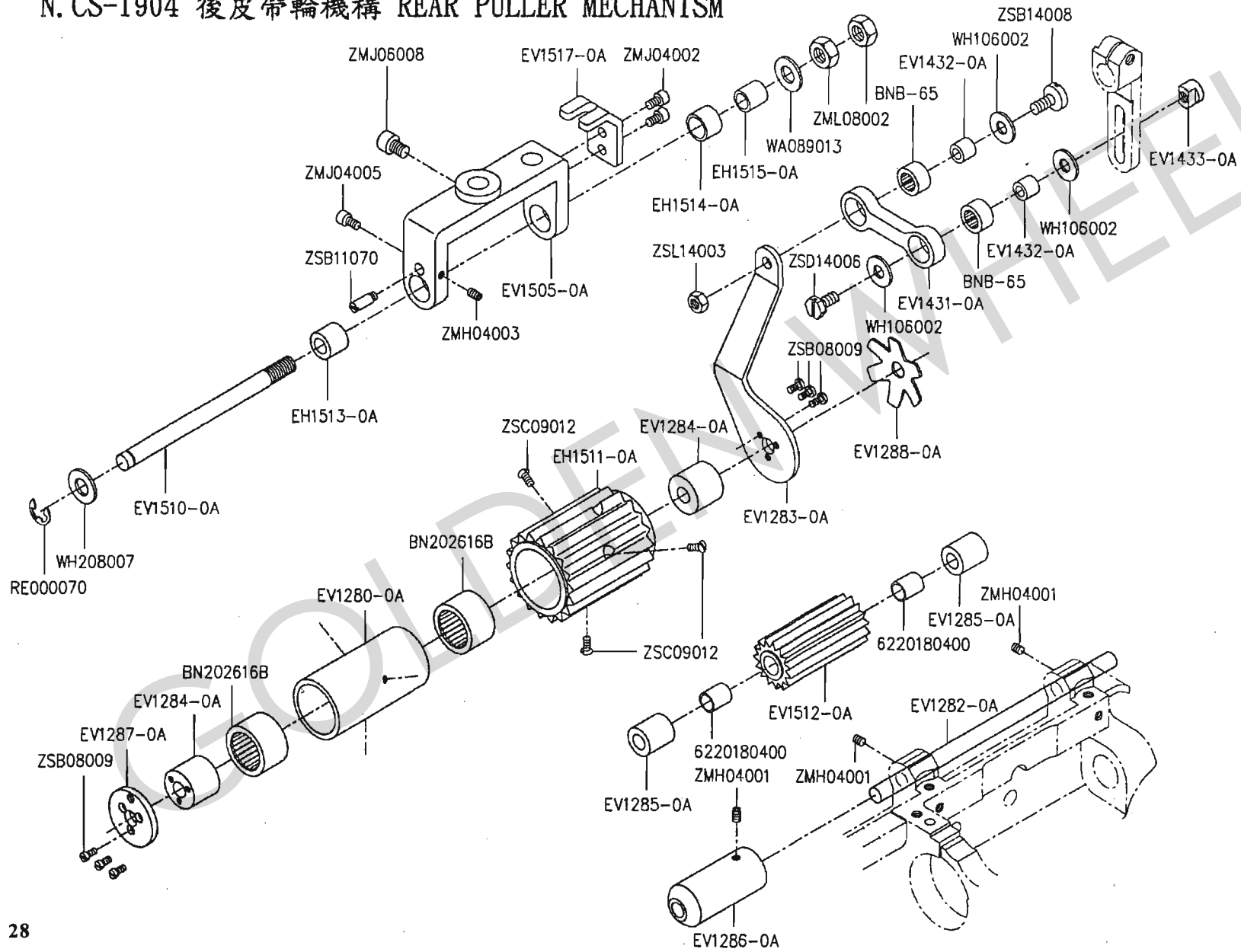
M、CS-1904/1906/1909/1912/1917P

後皮帶輪機構

REAR PULLER MECHANISM

零件號碼 Part No	零件名稱 Name of Part	件數 Q, TY	零件號碼 Part No	零件名稱 Name of Part	件數 Q, TY	備註 Remar
EH1107-2A	球接頭(小) - BALL JOINT	1	RB200100	C扣環 --- C RING	1	
EH1508-0A	套管 --- COLLAR	1	RB200280	C扣環 --- C RING	1	
EP4208-0A	油蓋 --- OIL SEAL	1	RE000090	E扣環 --- E RING	1	
EV1107-0A	連接球組 --- BALL JOINT ASS'Y	1	WA060008	平整圈 --- WASHER	1	
EV1107-2A	連接球 --- BALL JOINT	1	WG000012	波形墊圈 --- WASHER	1	
EV1420-0A	軸 --- SHAFT	1	WH212005	研磨墊圈 --- WASHER	1	
EV1425-0A	連桿 --- LEVER	1	ZMF18002	螺絲 --- SCREW (M18-1.5x38)	1	
EV1430-0A	連桿 --- LEVER	1	ZMH06008	螺絲 --- SCREW (M6-1.0x6)	4	
EV1500-0A	軸 --- SHAFT	1	ZMJ04008	螺絲 --- SCREW (M4-0.7x6)	1	
EV1502-0A	支架 --- BRACKET	1	ZMJ06002	螺絲 --- SCREW (M6-1.0x15)	1	
EV1503-0A	連結板 --- PLATE	1	ZMJ06003	螺絲 --- SCREW (M6-1.0x14)	2	
EV1504-0A	彈簧 --- SPRING	1	ZML06001	螺帽 --- NUT (M6-1.0)	1	
EV1507-0A	提昇桿 --- LEVER	1	ZSB11071	螺絲 --- SCREW (SM11/64-40x7)	1	
EV1516-0A	導銷 --- GUIDE PIN	1	ZSG11036	螺絲 --- SCREW (SM11/64-40x7)	1	
EV4015-0A	拉料連桿偏心 PULLER DRIVING ECCENTRIC	1	ZSG11038	螺絲 --- SCREW (SM11/64-40x5)	2	
EV4017-0A	上軸連桿頭 - CONNECTING LINK	1	ZSG11042	螺絲 --- SCREW (SM11/64-40x7)	2	
			ZSK20005	螺絲 --- SCREW (SM5/16-24)	1	
			ZSK24008	螺絲 --- SCREW (SM3/8-24)	1	
			ZSL11011	螺帽 --- NUT (SM11/64-40)	1	
			ZSR24001	螺帽 --- NUT (SM3/8-24)	1	
			ZSR24002	螺帽 --- NUT (SM3/8-24)	1	

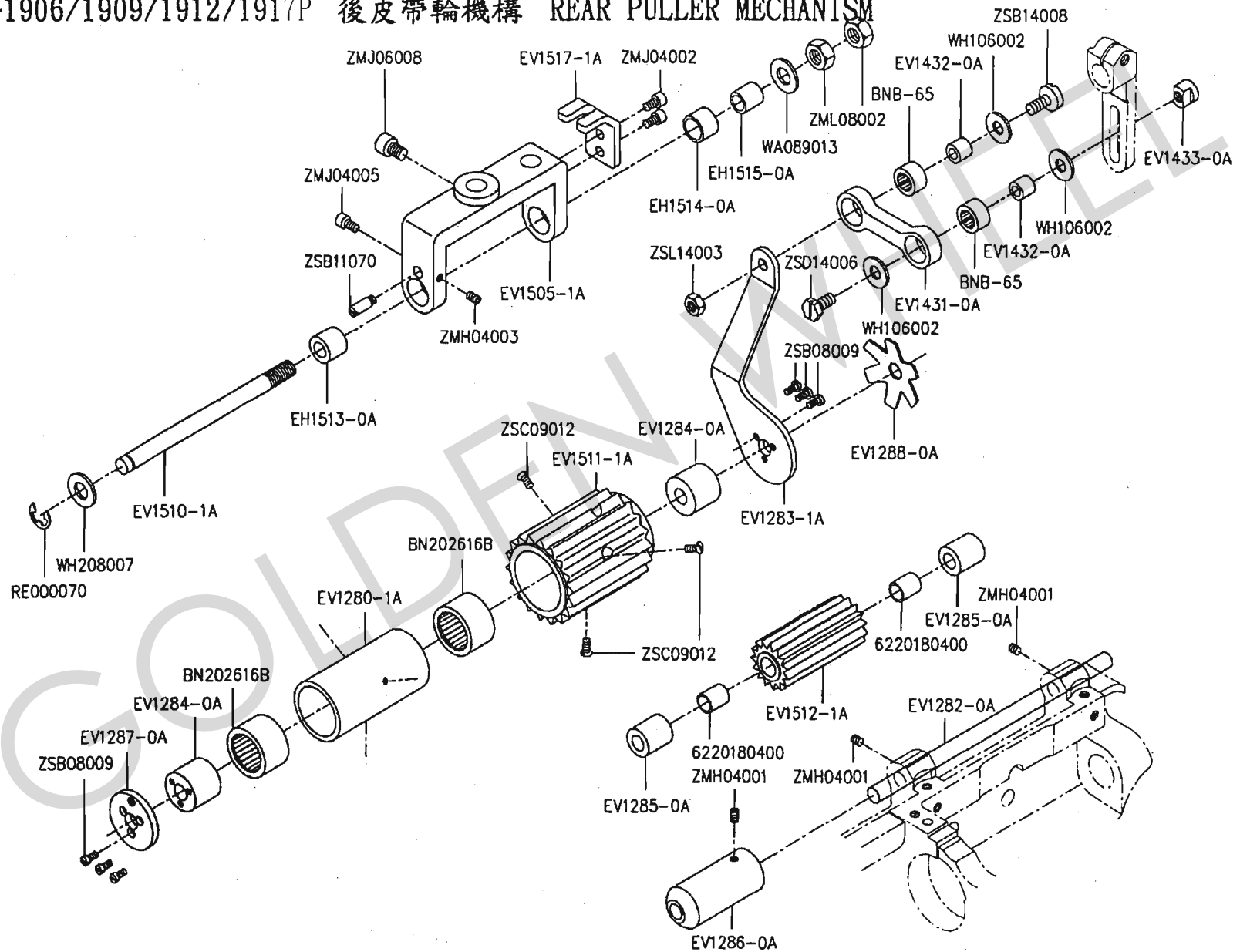
N. CS-1904 後皮帶輪機構 REAR PULLER MECHANISM



N·CS-1904 後皮帶輪機構 REAR PULLER MECHANISM

零件號碼 Part No	零件名稱 Name of Part	件數 Q, TY	零件號碼 Part No	零件名稱 Name of Part	件數 Q, TY	備註 Remar
622018040	套管 ----- BUSHING -----	2	RE000070	E扣環 ---- E RING -----	1	
BN202616B	滾針軸承 --- BEARING -----	2	WA089013	平墊圈 ---- WASHER -----	1	
EH1511-0A	齒輪 ----- UPPER REAR PULLER -----	1	WH106002	研磨墊圈 -- WASHER -----	2	
EH1513-0A	套管 ----- BUSHING -----	1	WH208007	研磨墊圈 -- WASHER -----	1	
EH1514-0A	套管 ----- BUSHING -----	1	ZMH04001	螺絲 ----- SCREW (M4-0.7x4) -----	3	
EH1515-0A	套管 ----- BUSHING -----	1	ZMH04003	螺絲 ----- SCREW (M4-0.7x5) -----	1	
EV1280-0A	套管 ----- CLUTCH HOUSING -----	1	ZMJ04002	螺絲 ----- SCREW (M4-0.7x10) -----	2	
EV1282-0A	軸 ----- SHAFT -----	1	ZMJ04005	螺絲 ----- SCREW (M4-0.7x12) -----	1	
EV1283-0A	連接板 ----- CONNECTING PLATE -----	1	ZMJ06008	螺絲 ----- SCREW (M6-1.0x12) -----	1	
EV1284-0A	連接板支持軸 SLEEVE -----	2	ZML08002	螺帽 ----- NUT (M8-1.25) -----	2	
EV1285-0A	軸環 ----- PLATE -----	1	ZSB08009	螺絲 ----- SCREW (SM1/8-44x6) -----	6	
EV1286-0A	引導軸套 --- GUIDE COLLAR -----	1	ZSB11070	螺絲 ----- SCREW (SM11/64-40x3) -----	1	
EV1287-0A	管蓋 ----- PLATE -----	1	ZSC09012	螺絲 ----- SCREW (SM9/64-40x7) -----	3	
EV1288-0A	盤形彈簧 --- PULLER PLATE SPRING -----	1	ZSL14003	螺帽 ----- NUT (SM7/32-32) -----	1	
EV1431-0A	連桿 ----- CONNECTING BAR -----	1				
EV1432-0A	滾子 ----- BEARING SLEEVE -----	2				
EV1433-0A	螺帽 ----- NUT -----	1				
EV1505-0A	拖輪座 ----- REAR PULLER HOLDER -----	1				
EV1510-0A	軸 ----- SHAFT -----	1				
EV1512-0A	齒輪 ----- REAR PULLER GEAR -----	1				
EV1517-0A	導座 ----- BRACKET -----	1				

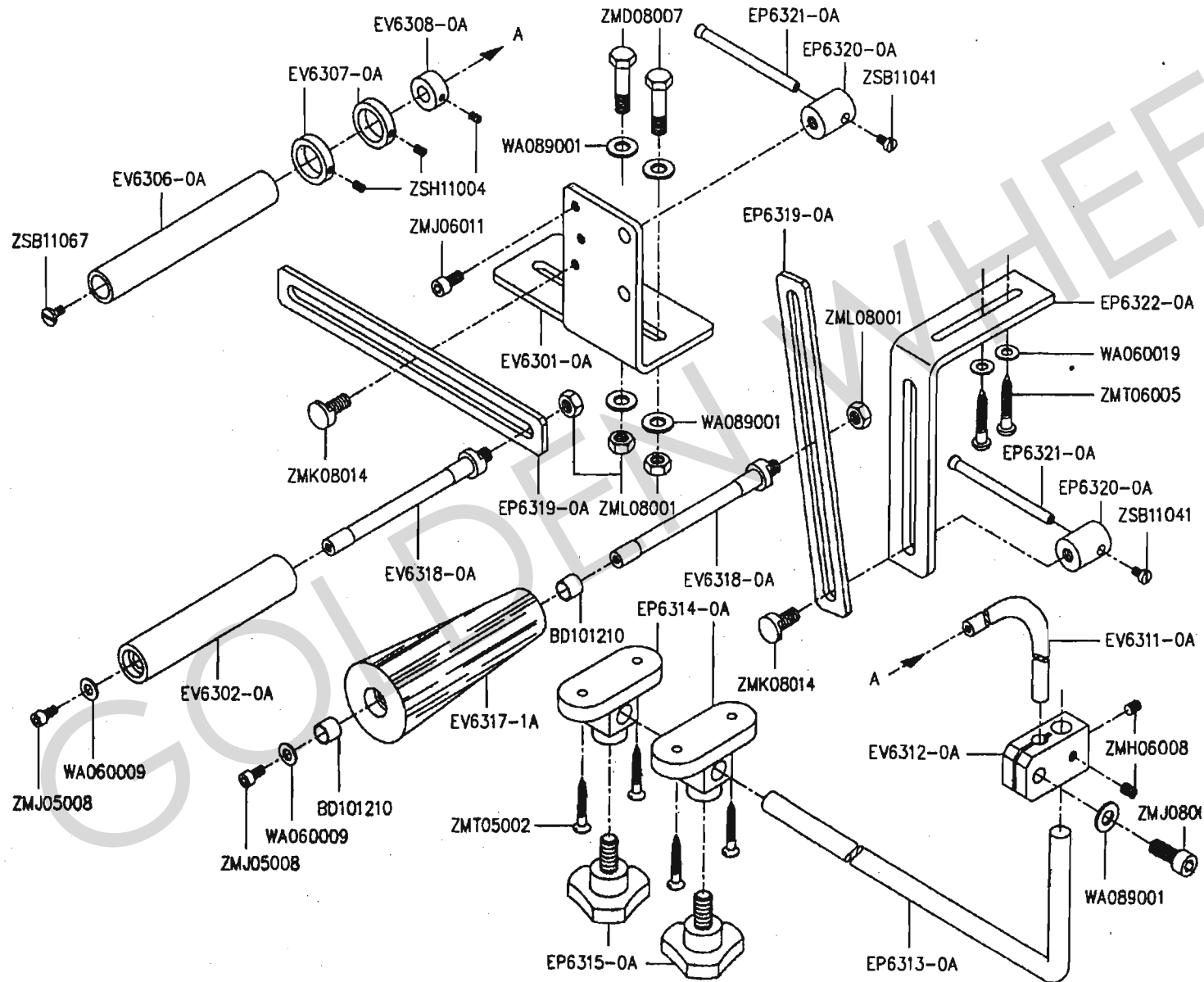
0. CS-1906/1909/1912/1917P 後皮帶輪機構 REAR PULLER MECHANISM



O、CS-1906/1909/1912/1917P 後皮帶輪機構 REAR PULLER MECHANISM

零件號碼 Part No	零件名稱 Name of Part	件數 Q, TY	零件號碼 Part No	零件名稱 Name of Part	件數 Q, TY	備註 Remar
622018040	套管 ----- BUSHING -----	2	RE000070	E扣環 ---- E RING -----	1	
BN202616B	滾針軸承 --- BEARING -----	2	WA089013	平墊圈 ---- WASHER -----	2	
EH1513-0A	套管 ----- BUSHING -----	1	WH106002	研磨墊圈 -- WASHER -----	3	
EH1514-0A	套管 ----- BUSHING -----	1	WH208007	研磨墊圈 -- WASHER -----	1	
EH1515-0A	套管 ----- BUSHING -----	1	ZMH04001	螺絲 ----- SCREW (M4-0.7x4) -----	3	
EV1280-1A	套管 ----- CLUTCH HOUSING -----	1	ZMH04003	螺絲 ----- SCREW (M4-0.7x5) -----	1	
EV1282-0A	軸 ----- SHAFT -----	1	ZMJ04002	螺絲 ----- SCREW (M4-0.7x10) -----	2	
EV1283-1A	連接板 ---- CONNECTING PLATE -----	1	ZMJ04005	螺絲 ----- SCREW (M4-0.7x12) -----	1	
EV1284-0A	連接板支持軸 SLEEVE -----	2	ZMJ06008	螺絲 ----- SCREW (M6-1.0x12) -----	1	
EV1286-0A	引導軸套 --- GUIDE COLLAR -----	1	ZML08002	螺帽 ----- NUT (M8-1.25) -----	2	
EV1287-0A	管蓋 ----- PLATE -----	1	ZSB08009	螺絲 ----- SCREW (SM1/8-44x6) -----	6	
EV1288-0A	盤形彈簧 --- PULLER PLATE SPRING -----	1	ZSB11070	螺絲 ----- SCREW (SM11/64-40x3) -----	1	
EV1431-0A	連桿 ----- CONNECTING BAR -----	1	ZSB14008	螺絲 ----- SCREW (SM7/32-32x16) -----	1	
EV1432-0A	滾子 ----- BEARING SLEEVE -----	2	ZSC09012	螺絲 ----- SCREW (SM9/64-40x7) -----	3	
EV1433-0A	螺帽 ----- NUT -----	1	ZSD14006	螺絲 ----- SCREW (SM7/32-32x21) -----	1	
EV1505-1A	拖輪座 ---- REAR PULLER HOLDER -----	1	ZSL14003	螺帽 ----- NUT (SM7/32-32) -----	1	
EV1510-1A	軸 ----- SHAFT -----	1				
EV1511-1A	齒輪 ----- UPPER REAR PULLER -----	1				
EV1512-1A	齒輪 ----- REAR PULLER GEAR -----	1				
EV1517-1A	導座 ----- BRACKET -----	1				

P. CS-1904/1906/1909/1912/1917P 滾筒機構 GUIDE ROLLER MECHANISM



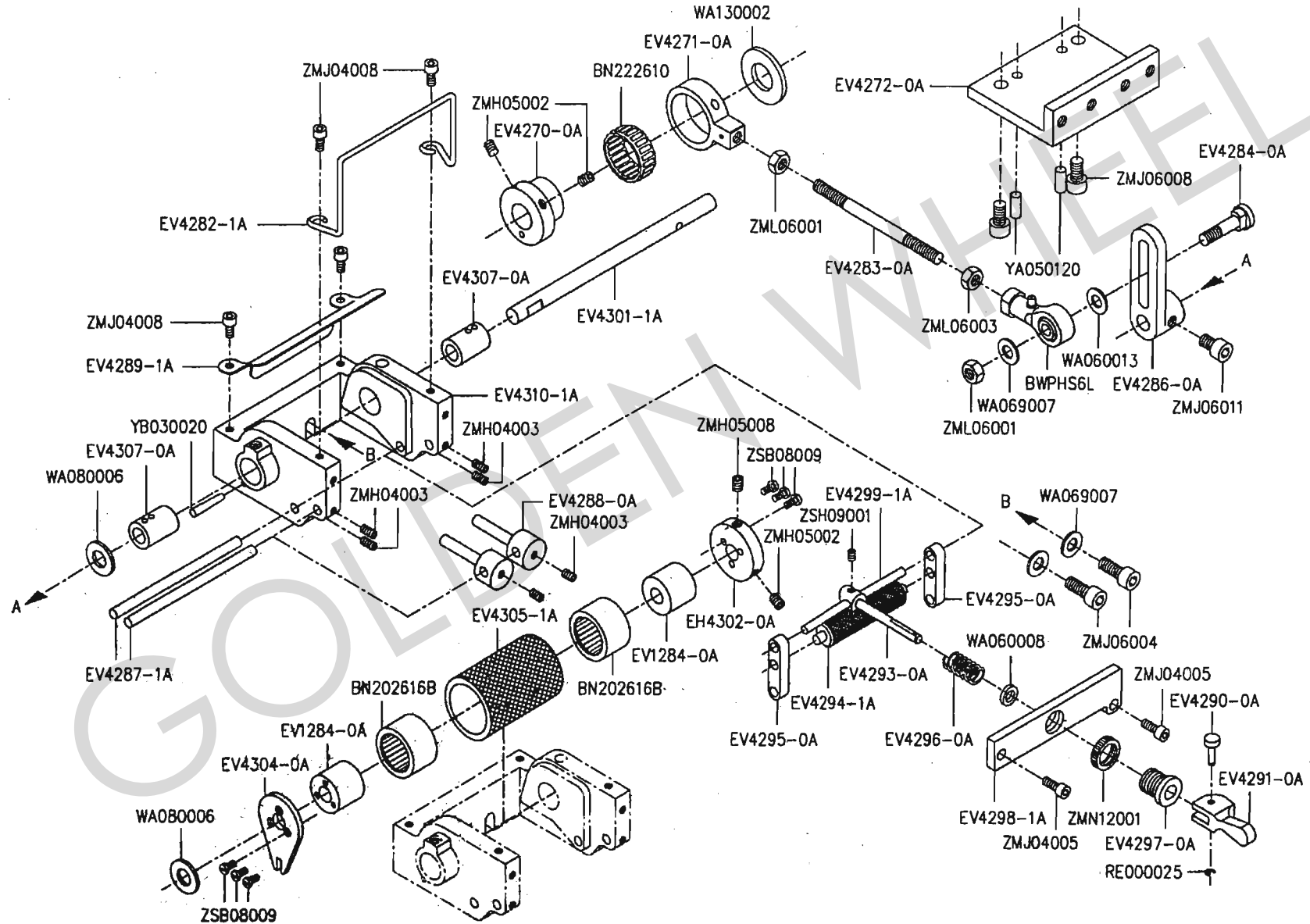
P、CS-1904/1906/1909/1912/1917P 滾筒機構 GUIDE ROLLER MECHANISM

零件號碼 Part No	零件名稱	Name of Part	件數 Q, TY	備註 Remarks
BD101210	DU乾軸承	BUSHING	2	
EP6313-0A	滾輪固定桿	BAR	1	
EP6314-0A	托架	BRACKET	2	
EP6315-0A	手輪螺絲	KNOB	2	
EP6319-0A	滾輪移動架	BRACKET	2	
EP6320-0A	滑槽固定軸	TENSION ROLLER SLIDER STOP	2	
EP6321-0A	手柄	TENSION ROLLER SLIDER STOP HANDLE	2	
EP6322-0A	下滾輪支撐架	BRACKET	1	
EV6301-0A	後滾輪托架	REAR ROLLER BRACKET	1	
EV6302-0A	鬆緊帶後滾輪	REAR ROLLER	1	
EV6306-0A	鬆緊帶前滾輪	FRONT ROLLER	1	
EV6307-0A	滾輪套環	COLLAR	2	
EV6308-0A	固定環	COLLAR	1	
EV6311-0A	滾輪固定架	BAR	1	
EV6312-0A	支架連結塊	JOINT	1	
EV6317-1A	張力滾輪	TAPER ROLLER	1	
EV6318-0A	下滾輪支軸	SHAFT	1	
WA060009	平墊圈	WASHER	2	
WA060019	平墊圈	WASHER	2	
WA089001	平墊圈	WASHER	5	
ZMD08007	螺絲	SCREW (M8-1.25x65)	2	
ZMH06008	螺絲	SCREW (M6-1.0x6)	2	
ZMJ05008	螺絲	SCREW (M5-0.8x10)	2	
ZMJ06011	螺絲	SCREW (M6-1.0x10)	1	
ZMJ08007	螺絲	SCREW (M8-1.25x20)	1	
ZMK08014	螺絲	SCREW (M8-1.25)	2	
ZML08001	螺帽	NUT (M8-1.25)	4	
ZMT05002	木螺絲	SCREW	4	
ZMT06005	木螺絲	SCREW	2	
ZSB11041	螺絲	SCREW (SM11/64-40x7)	2	
ZSB11067	螺絲	SCREW (SM11/64-40x9)	1	
ZSH11004	螺絲	SCREW (SM11/64-40x5)	3	

Q·CS-1904 PMD機構 METERING DEVICE MECHANISM

零件號碼 Part No	零件名稱 Name of Part	件數 Q, TY	零件號碼 Part No	零件名稱 Name of Part	件數 Q, TY	備註 Remar
BN202616B	滾針軸承 --- BEARING	2	RE000025	E扣環 --- E RING	1	
BN222610	滾針軸承 --- BEARING	1	WA060008	平墊圈 --- WASHER	1	
BWPHS6L	連桿端軸承 - ROD	1	WA060013	平墊圈 --- WASHER	1	
EH4292-0A	銷 --- PIVOT SHAFT (SMALL)	1	WA069007	平墊圈 --- WASHER	3	
EH4302-0A	側蓋板 --- CLUTCH DRIVING COLLAR	1	WA080006	平墊圈 --- WASHER	2	
EV1284-0A	連接板支持軸 SLEEVE	2	WA130002	平墊圈 --- WASHER	1	
EV4270-0A	拉料偏心凸輪 ECCENTRIC	1	YA050120	平行銷 --- PIN	2	
EV4271-0A	拉料連接器 - CONNECTING ROD	1	YB030020	推拔銷 --- TAPER PIN	1	
EV4272-0A	前拉料固定座 BRACKET	1	ZMH04003	螺絲 --- SCREW (M4-0.7x5)	8	
EV4282-0A	導引線架 --- GUIDE	1	ZMH05002	螺絲 --- SCREW (M5-0.8x6)	3	
EV4283-0A	連結棒 --- CONNECTING BAR	1	ZMH05008	螺絲 --- SCREW (M5-0.8x6)	1	
EV4284-0A	螺絲 --- SCREW	1	ZMJ04005	螺絲 --- SCREW (M4-0.7x12)	2	
EV4286-0A	連桿 --- LEVER	1	ZMJ04008	螺絲 --- SCREW (M4-0.7x6)	4	
EV4287-0A	導引棒 --- PIVOT SHAFT (LARGE)	2	ZMJ06004	螺絲 --- SCREW (M6-1.0x20)	2	
EV4288-0A	導引具 --- PIVOT SHAFT HOLDER	2	ZMJ06008	螺絲 --- SCREW (M6-1.0x12)	2	
EV4289-0A	蓋板 --- COVER	1	ZMJ06011	螺絲 --- SCREW (M6-1.0x10)	1	
EV4290-0A	銷 --- PIN	1	ZML06001	螺帽 --- NUT (M6-1.0)	2	
EV4291-0A	把手 --- LEVER	1	ZML06003	螺帽 --- NUT (M6-1.0)	1	
EV4293-0A	拉桿 --- ROLLER CONTROLER	1	ZMN12001	螺帽 --- NUT (M12-1.0)	1	
EV4294-0A	滾輪 --- LOWER ROLLER	1	ZSB08009	螺絲 --- SCREW (SM1/8-44x6)	6	
EV4295-0A	固定具 --- ROLLER HOLDER	2	ZSH09001	螺絲 --- SCREW (SM9/64-40x4)	1	
EV4296-0A	彈簧 --- SPRING	2				
EV4297-0A	螺絲 --- SCREW	1				
EV4298-0A	固定板 --- RUBBER TIGHTENER	1				
EV4301-0A	軸 --- SHAFT	1				
EV4304-0A	側蓋板 --- PLATE	1				
EV4305-0A	滾花管 --- PULLER	1				
EV4306-0A	定環 --- PLATE	1				
EV4307-0A	套管 --- BUSHING	2				
EV4310-0A	框架 --- BRACKET	1				

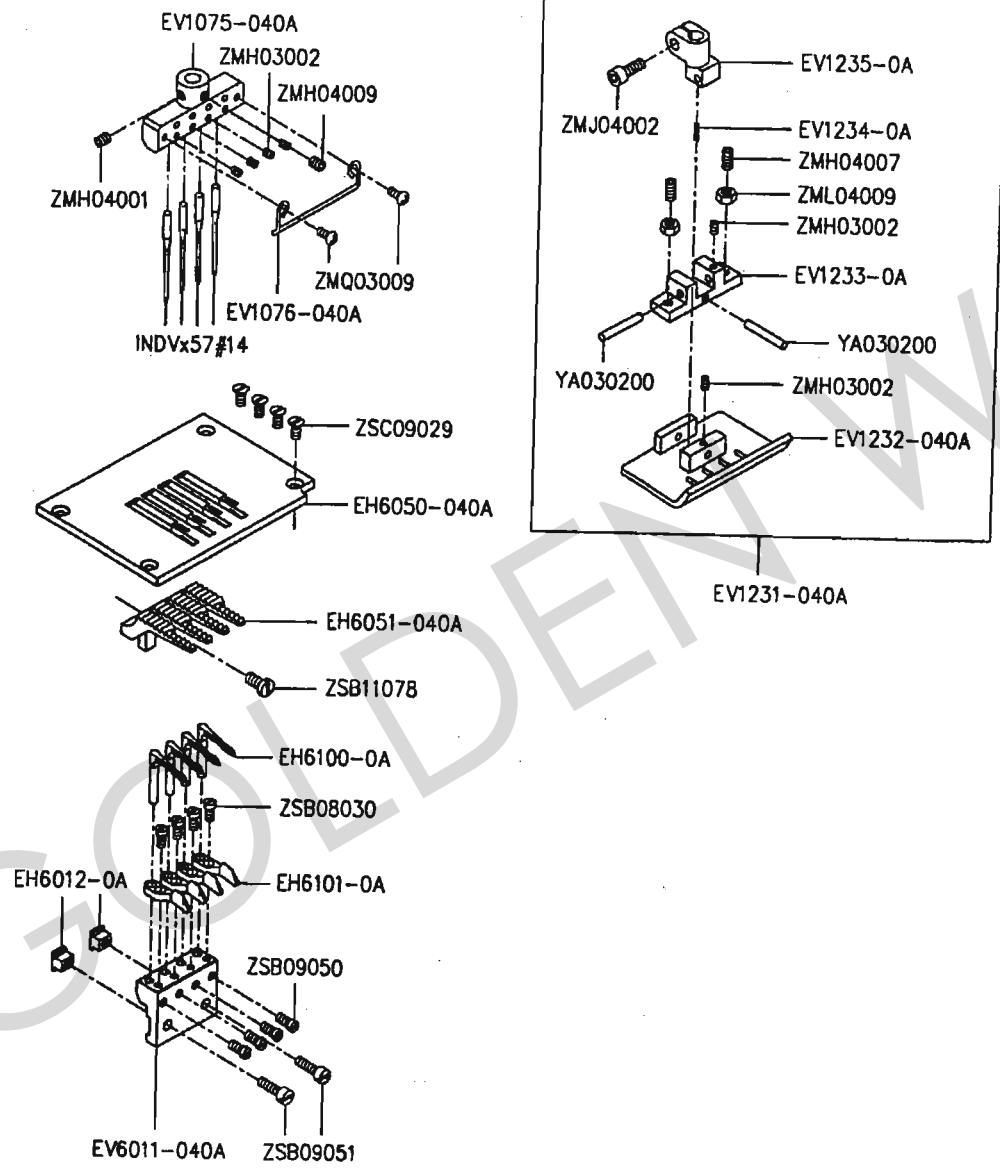
R. CS-1906/1909/1912/1917P PMD機構 METERING DEVICE MECHANISM



R、CS-1906/1909/1912/1917P PMD機構 METERING DEVICE MECHANISM

零件號碼 Part No	零件名稱 Name of Part	件數 Q, TY	零件號碼 Part No	零件名稱 Name of Part	件數 Q, TY	備註 Remar
BN202616B	滾針軸承 --- BEARING	2	RE000025	E 扣環 --- E RING	1	
BN222610	滾針軸承 --- BEARING	1	WA060008	平墊圈 --- WASHER	1	
BWPHS6L	連桿端軸承 - ROD	1	WA060013	平墊圈 --- WASHER	1	
EH4302-0A	側蓋板 ----- CLUTCH DRIVING COLLAR	1	WA069007	平墊圈 --- WASHER	3	
EV1284-0A	連接板支持軸 SLEEVE	2	WA080006	平墊圈 --- WASHER	2	
EV4270-0A	拉料偏心凸輪 ECCENTRIC	1	WA130002	平墊圈 --- WASHER	1	
EV4271-0A	拉料連接器 - CONNECTING ROD	1	YA050120	平行銷 --- PIN	2	
EV4272-0A	前拉料固定座 BRACKET	1	YB030020	推拔銷 --- TAPER PIN	1	
EV4282-1A	導引線架 --- GUIDE	1	ZMH04003	螺絲 --- SCREW (M4-0.7x5)	6	
EV4283-0A	連結棒 ----- CONNECTING BAR	1	ZMH05002	螺絲 --- SCREW (M5-0.8x6)	3	
EV4284-0A	螺絲 ----- SCREW	1	ZMH05008	螺絲 --- SCREW (M5-0.8x6)	1	
EV4286-0A	連桿 ----- LEVER	1	ZMJ04005	螺絲 --- SCREW (M4-0.7x12)	2	
EV4287-1A	導引棒 ----- PIVOT SHAFT (LARGE)	2	ZMJ04008	螺絲 --- SCREW (M4-0.7x6)	4	
EV4288-0A	導引具 ----- PIVOT SHAFT HOLDER	2	ZMJ06004	螺絲 --- SCREW (M6-1.0x20)	2	
EV4289-1A	蓋板 ----- COVER	1	ZMJ06008	螺絲 --- SCREW (M6-1.0x12)	2	
EV4290-0A	銷 ----- PIN	1	ZMJ06011	螺絲 --- SCREW (M6-1.0x10)	1	
EV4291-0A	把手 ----- LEVER	1	ZML06001	螺帽 --- NUT (M6-1.0)	2	
EV4293-0A	拉桿 ----- ROLLER CONTROLER	1	ZML06003	螺帽 --- NUT (M6-1.0)	1	
EV4294-1A	滾輪 ----- LOWER ROLLER	1	ZMN12001	螺帽 --- NUT (M12-1.0)	1	
EV4295-0A	固定具 ----- ROLLER HOLDER	2	ZSB08009	螺絲 --- SCREW (SM1/8-44x6)	6	
EV4296-0A	彈簧 ----- SPRING	2	ZSH09001	螺絲 --- SCREW (SM9/64-40x4)	1	
EV4297-0A	螺絲 ----- SCREW	1				
EV4298-1A	固定板 ----- RUBBER TIGHTENER	1				
EV4299-1A	銷 ----- PIVOT SHAFT (SMALL)	1				
EV4301-1A	軸 ----- SHAFT	1				
EV4304-0A	側蓋板 ----- PLATE	1				
EV4305-1A	滾花管 ----- PULLER	1				
EV4307-0A	套管 ----- BUSHING	2				
EV4310-1A	框架 ----- BRACKET	1				

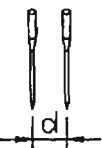
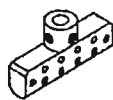

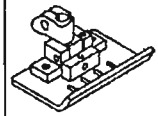

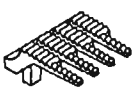




S. CS-1904 針位組 GAUGE PARTS



S、CS-1904 針位組 GAUGE PARTS

零件號碼 Part No	零件名稱	Name of Part	件數 Q, TY	備註 Remarks
EH6012-0A	螺帽	BRACKET	2	
EH6050-040A	針板	NEEDLE PLATE	1	
EH6051-040A	送料齒板	FEED DOG	1	
EH6100-0A	鈎線桿	LOOPER	4	
EH6101-0A	針擋	NEEDLE GUARD	4	
EV1075-040A	針鑷(1")	NEEDLE CLAMP	1	
EV1076-040A	線掛	THREAD GUIDE	1	
EV1231-040A	押腳組	PRESSER FOOT ASS'Y	1	
EV1232-040A	押腳底	BOTTOM	1	
EV1233-0A	托架	BRACKET	1	
EV1234-0A	彈簧	SPRING	1	
EV1235-0A	押腳頭	SHANK	2	
EV6011-040A	鈎線座(1")	LOOPER HOLDER	1	
EV6015-0A	撥線桿	RETAINER LOOPER	4	
EV6150-040A	撥線桿座	RETAINER HOLDER	1	
INDVx57#14	針	NEEDLE	4	
YA030200	平行銷	PIN	2	
ZMH03002	螺絲	SCREW (M3-0.5x3)	10	
ZMH04001	螺絲	SCREW (M4-0.7x4)	1	
ZMH04007	螺絲	SCREW (M4-0.7x10)	2	
ZMH04009	螺絲	SCREW (M4-0.7x5)	1	
ZMJ04002	螺絲	SCREW (M4-0.7x10)	1	
ZML04009	螺帽	NUT (M4-0.7)	2	
ZMQ03009	螺絲	SCREW (M3-0.5x6)	2	
ZSB08030	螺絲	SCREW (SM1/8-44x5.5)	4	
ZSB09050	螺絲	SCREW (SM9/64-40x7)	4	
ZSB09051	螺絲	SCREW (SM9/64-40x12)	2	
ZSB11078	螺絲	SCREW (SM11/64-40x9)	1	
ZSC09029	螺絲	SCREW (SM9/64-40x7)	4	

T. CS-1904/1906/1909/1912/1917P 針位表 GAUGE PARTS TABLE

機型	圖例										
	零件號碼										
	針距	針榴	線掛	押腳	針板	送料齒	鉤線座	撥線桿座	針擋	撥線桿	鉤線桿
CS-1904	3/4"	EH1075-010A		EH1231-010A	EH6050-010A	EH6051-010A	EH6011-010A	EV6150-010A	EH6101-0A	EV6015-0A	EH6100-0A
	1"	EV1075-040A	EV1076-040A	EV1231-040A	EH6050-040A	EH6051-040A	EV6011-040A	EV6150-040A	EH6101-0A	EV6015-0A	EH6100-0A
	1-1/8"	EH1075-050A		EH1231-050A	EH6050-050A	EH6051-050A	EH6011-050A	EV6150-050A	EH6101-0A	EV6015-0A	EH6100-0A
	1-1/4"	EH1075-060A		EH1231-060A	EH6050-060A	EH6051-060A	EH6011-060A	EV6150-060A	EH6101-0A	EV6015-0A	EH6100-0A
	1-1/2"	EH1075-080A		EH1231-080A	EH6050-080A	EH6051-080A	EH6011-080A	EV6150-080A	EH6101-0A	EV6015-0A	EH6100-0A
CS-1912	3/16"	EH1075-015A		EH1231-015A	EH6050-015A	EH6051-015A	EH6011-015A	EV6150-015A	EH6101-0A	EV6015-0A	EH6100-0A
	1/4"	EV1075-025A	EV1076-025A	EV1231-025A	EH6050-025A	EH6051-025B	EV6011-025A	EV6150-025A	EH6101-0A	EV6015-0A	EH6100-0A
	5mm	EH1075-016A		EH1231-016A	EH6050-016A	EH6051-016A	EH6011-016A	EV6150-016A	EH6101-0A	EV6015-0A	EH6100-0A
CS-1906	1/4"	EV1075-011A	EV1076-011A	EV1231-011A	EH6050-011A	EH6051-011A	EV6011-011A	EV6150-011A	EH6101-0A	EV6015-0A	EH6100-0A
CS-1909	1/4"	EV1075-013A	EV1076-013A	EV1231-013A	EH6050-013A	EH6051-013A	EV6011-013A	EV6150-013A	EH6101-0A	EV6015-0A	EH6100-0A
CS-1917P	1/8"	EV1075-170J	EV1076-025A	EV1231-170J	EV6050-170J	EV6051-170J	EV6011-170J	EV6150-170J		EV6015-0A	EH6100-0B
	亂針	EV1075-170C	EV1076-025A	EV1231-170C	EV6050-170C	EV6051-170C	EV6011-170C	EV6150-170C		EV6015-0A	EH6100-0B

T、CS-1904/1906/1909/1912/1917P 針位表 GAUGE PARTS TABLE

機型	針距	針榴	線掛	押腳	針板	送料齒	鉤線座	撥線桿座	針擋	撥線桿	鉤線桿	
1904	3/4"	A	EH1075-010A		EH1231-010A	EH6050-010A	EH6051-010A	EH6011-010A	EV6150-010A	EH6101-0A	EV6015-0A	EH6100-0A
	1"	D	EV1075-040A	EV1076-040A	EV1231-040A	EH6050-040A	EH6051-040A	EV6011-040A	EV6150-040A	EH6101-0A	EV6015-0A	EH6100-0A
	1-1/8"	E	EH1075-050A		EH1231-050A	EH6050-050A	EH6051-050A	EH6011-050A	EV6150-050A	EH6101-0A	EV6015-0A	EH6100-0A
	1-1/4"	F	EH1075-060A		EH1231-060A	EH6050-060A	EH6051-060A	EH6011-060A	EV6150-060A	EH6101-0A	EV6015-0A	EH6100-0A
	1-1/2"	G	EH1075-080A		EH1231-080A	EH6050-080A	EH6051-080A	EH6011-080A	EV6150-080A	EH6101-0A	EV6015-0A	EH6100-0A
1912	3/16"	B	EH1075-015A		EH1231-015A	EH6050-015A	EH6051-015A	EH6011-015A	EV6150-015A	EH6101-0A	EV6015-0A	EH6100-0A
	1/4"	A	EV1075-025A	EV1076-025A	EV1231-025A	EH6050-025A	EH6051-025B	EV6011-025A	EV6150-025A	EH6101-0A	EV6015-0A	EH6100-0A
	5mm	H	EH1075-016A		EH1231-016A	EH6050-016A	EH6051-016A	EH6011-016A	EV6150-016A	EH6101-0A	EV6015-0A	EH6100-0A
1906	1/4"	A	EV1075-011A	EV1076-011A	EV1231-011A	EH6050-011A	EH6051-011A	EV6011-011A	EV6150-011A	EH6101-0A	EV6015-0A	EH6100-0A
1909	1/4"	A	EV1075-013A	EV1076-013A	EV1231-013A	EH6050-013A	EH6051-013A	EV6011-013A	EV6150-013A	EH6101-0A	EV6015-0A	EH6100-0A
1917P	1/8"	J	EV1075-170J	EV1076-025A	EV1231-170J	EV6050-170J	EV6051-170J	EV6011-170J	EV6150-170J		EV6015-0A	EH6100-0B
	亂針	C	EV1075-170C	EV1076-025A	EV1231-170C	EV6050-170C	EV6051-170C	EV6011-170C	EV6150-170C		EV6015-0A	EH6100-0B

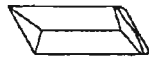
GOLDEN

U、CS-1904/1906/1909/1912/1917P 線架組 THREAD STAND

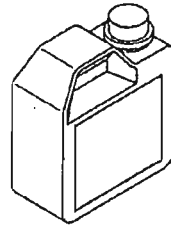
零件號碼 Part No	零件名稱	Name of Part	件數 Q, TY	備註 Remarks
EH7050-0A	線架	THREAD STAND ASSEMBLY	1	CS-1904
EH7050-1A	線架	THREAD STAND ASSEMBLY	1	CS-1909/12
EH7050-2A	線架	THREAD STAND ASSEMBLY	1	CS-1906
EP7026-0A	緩衝墊	CUSHION RUBBER	4	
EY7015-0A	輔助側蓋	COVER	1	
EY7025-0A	車體支持柱	SCREW	4	
RU000060	U扣環	U RING	4	
WA060019	平墊圈	WASHER	4	
WB060002	彈簧墊圈	SPRING WASHER	4	
ZML06004	螺帽	NUT (M6-1.0)	4	
ZMT04004	木螺絲	SCREW	3	

GOLDEN WHEEL

V. CS-1904/1906/1909/1912/1917P 附件 ACCESSORIES



INDV×57#14



EH7012-0A



TLA015



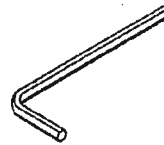
TLA020



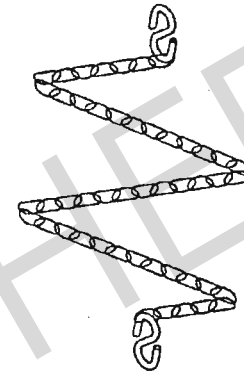
TLA025



TLA030



TLA040



B7060-0A



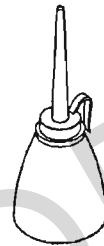
TRB06×07



TRB09×10



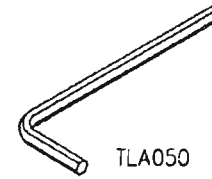
A7010-0A



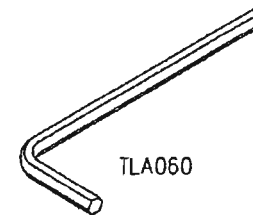
A7012-1A



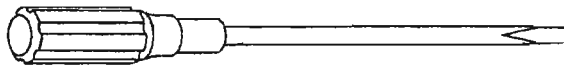
G7014-0A



TLA050



TLA060



A7010-2A

V、CS-1904/1906/1909/1912/1917P 附件 ACCESSORIES

零件號碼 Part No	零件名稱	Name of Part	件數 Q, TY	備註 Remarks
A7010-0A	螺絲起子(小)	DRIVER (S)	1	
A7010-2A	螺絲起子(大)	DRIVER (L)	1	
A7012-1A	油壺(小)	OILER (S)	1	
B7060-0A	鏈子組	CHAIN	1	
EH7012-0A	油壺(大)	OILER (L)	1	
G7014-0A	夾子	TWEZERS	1	
INDVx57#14	針	NEEDLE	10	
TLA015	六角板手(1.5mm)	ALLEN KEY (1.5mm)	1	
TLA020	六角板手(2.0mm)	ALLEN KEY (2.0mm)	1	
TLA025	六角板手(2.5mm)	ALLEN KEY (2.5mm)	1	
TLA030	六角板手(3.0mm)	ALLEN KEY (3.0mm)	1	
TLA040	六角板手(4.0mm)	ALLEN KEY (4.0mm)	1	
TLA050	六角板手(5.0mm)	ALLEN KEY (5.0mm)	1	
TLA060	六角板手(6.0mm)	ALLEN KEY (6.0mm)	1	
TRB06x07	開口板手(6x7)	SPANNER (6x7)	1	
TRB09x10	開口板手(9x10)	SPANNER (9x10)	1	

W、CS-1904/1906/1909/1912/1917P 零件號碼與頁數對照 NUMERICAL PARTS-LIST

零件號碼	頁數	零件號碼	頁數	零件號碼	頁數	零件號碼	頁數	零件號碼	頁數
PARTS NO.	PAGE	PARTS NO.	PAGE	PARTS NO.	PAGE	PARTS NO.	PAGE	PARTS NO.	PAGE
6220180400	28,30	EH1075-050A	40	EH6011-015A	40	EH6165-0A	20	ER4480-0A	24
716231050C	10	EH1075-060A	40	EH6011-016A	40	EH6166-0A	20	ER4482-0A	24
A7010-0A	44	EH1075-080A	40	EH6011-050A	40	EH6167-0A	20	ER4483-0A	24
A7010-2A	44	EH1077-1A	4,6	EH6011-060A	40	EH7012-0A	44	EV1000-0A	2
A7012-1A	44	EH1103-0B	16	EH6011-080A	40	EH7050-0A	42	EV1010-0A	2
B7060-0A	44	EH1106-0A	16	EH6012-0A	38	EH7050-1A	42	EV1011-0A	2
BBAC6203LU	16	EH1107-0A	16	EH6020-0A	20	EH7050-2A	42	EV1013-0A	20
BBAC6203ZZ	16	EH1107-1A	16	EH6050-010A	40	EP1015-0A	2	EV1013-1A	18
BD101210	32	EH1107-2A	26	EH6050-011A	40	EP1077-0A	2	EV1013-2A	4,6
BN202616B	28,30,34,36	EH1107-3A	16	EH6050-013A	40	EP4025-0A	24	EV1026-0A	8,10
BN222610	34,36	EH1108-0A	16	EH6051-011A	40	EP4026-0A	24	EV1036-0A	8
BNB-65	28,30	EH1231-010A	40	EH6051-013A	40	EP4158-0A	4,6	EV1036-1A	10
BNKT182216	18	EH1231-015A	40	EH6050-015A	40	EP4159-0A	4,6	EV1037-0A	8
BNKT252913	18,20	EH1231-016A	40	EH6050-016A	40	EP4174-0A	24	EV1037-1A	10
BTAS1226	20	EH1231-050A	40	EH6050-025A	40	EP4208-0A	4,6,26	EV1038-0A	8
BTAS1528	14	EH1231-060A	40	EH6050-040A	38,40	EP4287-0A	20	EV1038-1A	10
BTNTA1528	14	EH1231-080A	40	EH6050-050A	40	EP6313-0A	32	EV1039-0A	10
BWPHS6L	34,36	EH1371-0A	2	EH6050-060A	40	EP6314-0A	32	EV1041-0A	10
EH1021-0A	8,10	EH1508-0A	26	EH6050-080A	40	EP6315-0A	32	EV1042-0A	10
EH1021-1A	8,10	EH1511-0A	28	EH6051-010A	40	EP6319-0A	32	EV1050-0A	8
EH1024-0A	8	EH1513-0A	28,30	EH6051-015A	40	EP6320-0A	32	EV1051-0A	8
EH1024-1A	8	EH1514-0A	28,30	EH6051-016A	40	EP6321-0A	32	EV1051-1A	10
EH1025-0A	8,10	EH1515-0A	28,30	EH6051-025B	40	EP6322-0A	32	EV1052-0A	8
EH1030-0A	8,10	EH4046-0A	14	EH6051-040A	38,40	EP7026-0A	42	EV1052-1A	10
EH1042-0A	8,10	EH4053-0A	18	EH6051-050A	40	ER1085-0A	2	EV1053-0A	8
EH1051-0A	8	EH4053-0A	20	EH6051-060A	40	ER1086-0A	2	EV1053-1A	10
EH1052-0A	8	EH4177-0A	24	EH6051-080A	40	ER1087-0A	2	EV1054-0A	8
EH1054-2A	8,10	EH4292-0A	34	EH6100-0A	38,40	ER4084-0A	4,6	EV1054-1A	10
EH1075-010A	40	EH4302-0A	34,36	EH6100-0B	38,40	ER4471-0A	24	EV1055-0A	8
EH1075-015A	40	EH4469-0A	24	EH6101-0A	38,40	ER4473-0A	24	EV1056-0A	8
EH1075-016A	40	EH6011-010A	40	EH6161-0A	20	ER4475-0A	24	EV1057-0A	8
				EH6163-0A	20				

W、CS-1904/1906/1909/1912/1917P 零件號碼與頁數對照 NUMERICAL PARTS-LIST

零件號碼	頁數	零件號碼	頁數	零件號碼	頁數	零件號碼	頁數	零件號碼	頁數
PARTS NO.	PAGE	PARTS NO.	PAGE	PARTS NO.	PAGE	PARTS NO.	PAGE	PARTS NO.	PAGE
EV1057-1A	10	EV1107-2A	26	EV1288-0A	28,30	EV1505-0A	28	EV4057-0A	18
EV1058-0A	8	EV1180-0A	22	EV1300-0A	22	EV1505-1A	30	EV4058-0A	18
EV1058-1A	10	EV1182-0A	22	EV1301-0A	22	EV1507-0A	26	EV4059-0A	18
EV1059-0A	8	EV1183-0A	12	EV1302-0A	22	EV1510-0A	28	EV4060-0A	18
EV1059-1A	10	EV1184-0A	22	EV1303-0A	12	EV1510-1A	30	EV4061-0A	18
EV1060-0A	14	EV1185-0A	22	EV1304-0A	22	EV1511-1A	30	EV4062-0A	18
EV1060-1A	14	EV1186-0A	22	EV1305-0A	22	EV1512-0A	28	EV4063-0A	18
EV1061-0A	8	EV1191-0A	22	EV1306-0A	22	EV1512-1A	30	EV4065-0A	18
EV1061-1A	10	EV1192-0A	22	EV1307-0A	22	EV1516-0A	26	EV4067-0A	18
EV1062-0A	14	EV1193-0A	22	EV1308-0A	22	EV1517-0A	28	EV4068-0A	18
EV1070-0A	14	EV1201-0A	22	EV1320-0A	24	EV1517-1A	30	EV4080-0A	4,6
EV1071-0A	12	EV1202-0A	22	EV1340-0A	14	EV4000-0A	4,6	EV4080-1A	4,6
EV1073-0A	12	EV1203-0A	22	EV1341-0A	14	EV4010-0A	16	EV4081-0A	4,6
EV1074-0A	14	EV1204-0A	22	EV1342-0A	14	EV4011-0A	16	EV4082-0A	4,6
EV1075-011A	40	EV1231-011A	40	EV1344-0A	14	EV4012-0A	16	EV4083-0A	4,6
EV1075-013A	40	EV1231-013A	40	EV1345-0A	14	EV4013-0A	12	EV4084-0A	6
EV1075-025A	40	EV1231-025A	40	EV1346-0A	14	EV4015-0A	26	EV4085-0A	6
EV1075-040A	38,40	EV1231-040A	38,40	EV1360-0A	2	EV4017-0A	26	EV4087-0A	4,6
EV1075-170C	38,40	EV1231-170C	38,40	EV1370-0A	2	EV4028-0A	4,6	EV4088-0A	4,6
EV1075-170J	38,40	EV1231-170J	38,40	EV1420-0A	26	EV4040-0A	18	EV4089-0A	4,6
EV1076-011A	40	EV1232-040A	38	EV1421-0A	12	EV4041-0A	12	EV4100-0A	24
EV1076-013A	40	EV1233-0A	38	EV1425-0A	26	EV4044-0A	18	EV4101-0A	24
EV1076-025A	40	EV1234-0A	38	EV1430-0A	26	EV4047-0A	18	EV4203-0A	4,6
EV1076-040A	38,40	EV1235-0A	38	EV1431-0A	28,30	EV4048-0A	18	EV4206-0A	4,6
EV1080-0A	14	EV1280-0A	28	EV1432-0A	28,30	EV4049-0A	18	EV4207-0A	4,6
EV1081-0A	14	EV1280-1A	30	EV1433-0A	28,30	EV4050-0A	18	EV4208-0A	4,6
EV1085-0A	2	EV1282-0A	28,30	EV1500-0A	26	EV4051-0A	18	EV4260-0A	20
EV1086-0A	2	EV1283-0A	28	EV1501-0A	12	EV4052-0A	18	EV4261-0A	20
EV1087-0A	2	EV1283-1A	30	EV1502-0A	26	EV4053-0A	18	EV4263-0A	20
EV1100-0A	16	EV1284-0A	28,30,34,36	EV1503-0A	26	EV4055-0A	18	EV4265-0A	16
EV1104-0A	16	EV1285-0A	28,30	EV1504-0A	26	EV4056-0A	18	EV4270-0A	34,36
EV1105-0A	16	EV1286-0A	28,30						
EV1107-0A	26	EV1287-0A	28,30						

W·CS-1904/1906/1909/1912/1917P 零件號碼與頁數對照 NUMERICAL PARTS-LIST

零件號碼 PARTS NO.	頁數 PAGE	零件號碼 PARTS NO.	頁數 PAGE	零件號碼 PARTS NO.	頁數 PAGE	零件號碼 PARTS NO.	頁數 PAGE	零件號碼 PARTS NO.	頁數 PAGE
EV4271-0A	34,36	EV4307-0A	34,36	EV6049-0A	4	HB4105-0A	24	TLA060	44
EV4272-0A	34,36	EV4310-0A	34	EV6049-1A	6	INDVx57#14	38,44	TRB06x07	44
EV4281-0A	12	EV4310-1A	36	EV6150-010A	40	OAGM121803	12	TRB09x10	44
EV4282-0A	34	EV4404-0A	16	EV6150-011A	40	OPP00500	18	WA030001	2
EV4282-1A	36	EV4474-0A	24	EV6150-013A	40	OPP00680	20	WA040011	4,6
EV4283-0A	34,36	EV4476-0A	24	EV6150-015A	40	OPP01100	16	WA040013	4,6
EV4284-0A	34,36	EV4477-0A	24	EV6150-016A	40	OPP01250	16	WA040017	18
EV4285-0A	20	EV4478-0A	24	EV6150-025A	40	OPP02550	2	WA049005	8
EV4286-0A	34,36	EV4479-0A	24	EV6150-040A	38,40	OPP04200	24	WA049006	20
EV4287-0A	34	EV4480-0A	24	EV6150-050A	40	OPP05400	16	WA050002	6
EV4287-1A	36	EV4481-0A	24	EV6150-060A	40	PA1013-3A	2,4,6	WA050010	18
EV4288-0A	34,36	EV4482-0A	24	EV6150-080A	40	EV6150-170C	38,40	RB100130	26
EV4289-0A	34	EV4483-0A	24	EV6150-170J	38,40	EV6151-0A	20	RB200100	26
EV4289-1A	36	EV4484-0A	24	EV6151-170C	38,40	EV6151-170J	38,40	RB200280	26
EV4290-0A	16,34,36	EV6000-0A	20	EV6151-170J	38,40	EV6152-0A	12	RB300190	18
EV4291-0A	34,36	EV6011-011A	40	EV6152-0A	12	EV6160-0A	20	RB300260	20
EV4293-0A	34,36	EV6011-013A	40	EV6160-0A	20	EV6180-0A	20	RE000025	34,36
EV4294-0A	34	EV6011-025A	40	EV6180-0A	20	EV6181-0A	20	RE000040	18,22
EV4294-1A	36	EV6011-040A	38,40	EV6181-0A	20	EV6182-0A	12	RE000050	20
EV4295-0A	34,36	EV6011-170C	38,40	EV6182-0A	12	EV6301-0A	32	RE000070	28,30
EV4296-0A	34,36	EV6011-170J	38,40	EV6301-0A	32	EV6302-0A	32	RE000080	20
EV4297-0A	34,36	EV6012-0A	12	EV6302-0A	32	EV6306-0A	32	RE000090	26
EV4298-0A	34	EV6013-0A	20	EV6306-0A	32	EV6307-0A	32	RE000100	18
EV4298-1A	36	EV6014-0A	20	EV6307-0A	32	EV6308-0A	32	RU000060	42
EV4299-1A	36	EV6015-0A	38,40	EV6308-0A	32	EV6311-0A	32	SEN0880500	4,6
EV4301-0A	34	EV6016-0A	20	EV6311-0A	32	EV6312-0A	32	TLA015	44
EV4301-1A	36	EV6017-0A	20	EV6312-0A	32	EV6317-1A	32	TLA020	44
EV4304-0A	34,36	EV6018-0A	20	EV6317-1A	32	EV6318-0A	32	TLA025	4
EV4305-0A	34	EV6019-0A	20	EV6318-0A	32	EV7015-0A	42	TLA030	44
EV4305-1A	36	EV6020-0A	20	EV7015-0A	42	EV7016-0A	4,6	TLA040	44
EV4306-0A	34	EV6047-0A	4,6	EV7016-0A	4,6	EV7025-0A	42	TLA050	44
		EV6048-0A	4	EV7025-0A	42	G7014-0A	44		
		EV6048-1A	6	G7014-0A	44				

W、CS-1904/1906/1909/1912/1917P 零件號碼與頁數對照 NUMERICAL PARTS-LIST

零件號碼	頁數	零件號碼	頁數	零件號碼	頁數	零件號碼	頁數	零件號碼	頁數
PARTS NO.	PAGE	PARTS NO.	PAGE	PARTS NO.	PAGE	PARTS NO.	PAGE	PARTS NO	PAGE
WC050002	4,6	ZMB05012	8,10	ZMJ03010	18,24	ZML06004	42	ZSC09012	28,30
WG000006	2	ZMC04007	8,10	ZMJ04001	2,4,6,14, 20,22	ZML08001	32	ZSC09029	38
WG000012	4,6,26	ZMC04012	4,6	ZMJ04002	8,10,14,16, 28,30,38	ZML08002	28,30	ZSD14006	22,28,30
WH106001	20	ZMC04014	4,6	ZMJ04005	18,22,24,28, 30,34,36	ZMN12Q01	34,36	ZSG09006	2
WH106002	28,30	ZMD05010	22	ZMJ04008	2,8,20,24, 26,34,36	ZMN15002	22	ZSG11036	26
WH208007	28,30	ZMD08005	4,6	ZMJ04010	2	ZMQ03005	2	ZSG11038	22,26
WH210010	20	ZMD08006	4,6	ZMJ04012	16	ZMQ03009	38	ZSG11041	16
WH212005	26	ZMD08007	32	ZMJ04014	4,6	ZMQ04016	4,6,8,10	ZSG11042	16,26
WH212007	18	ZMF04004	2	ZMJ05001	14,20	ZMT04004	42	ZSH09001	34,36
XB108002	16	ZMF15003	22	ZMJ05002	22	ZMT05002	32	ZSH11004	18,32
XB123001	8,10	ZMF18002	26	ZMJ05008	4,6,32	ZMT06005	32	ZSK20005	26
XP300150	24	ZMG04023	2	ZMJ06002	26	ZSB08009	28,30,34,36	ZSK24005	61
XP300520	24	ZMG06020	4,6	ZMJ06003	18,20,26	ZSB08030	38	ZSK24008	26
XP400370	24	ZMG10002	22	ZMJ06004	34,36	ZSB09011	8,10	ZSL11011	26
XP500090	24	ZMH03002	18,38	ZMJ06008	22,24,28, 30,34,36	ZSB09024	4,6	ZSL14003	28,30
XP500130	24	ZMH04001	4,6,28,30,38	ZMJ06011	32,34,36	ZSB09047	14	ZSN14002	22
XP500190	24	ZMH04003	8,10,28,30, 34,36	ZMJ06014	16,20	ZSB09049	18	ZSQ16004	4,6
YA030200	38	ZMH04007	38	ZMJ08006	2	ZSB09050	38	ZSR16002	8
YA050101	4,6	ZMH04009	14,18,20,38	ZMJ08007	24,32	ZSB09051	38	ZSR16010	10
YA050120	34,36	ZMH04012	18	ZMK03004	18	ZSB11041	32	ZSR24001	16,26
YA050180	22	ZMH05001	18,20	ZMK06020	4,6	ZSB11045	16	ZSR24002	16,26
YA050301	18	ZMH05002	14,16,24, 34,36	ZMK08014	32	ZSB11067	32		
YA080250	2	ZMH05004	18	ZML03002	24	ZSB11070	28,30		
YB030020	34,36	ZMH05006	20,22	ZML04009	4,6,38	ZSB11071	26		
YD030006	24	ZMH05008	16,18,34,36	ZML06001	26,34,36	ZSB11078	38		
YD030030	22	ZMH06003	16	ZML06003	34,36	ZSB11099	22		
YD045001	8,10	ZMH06008	14,16,18,26,32			ZSB11101	4,6		
ZMB04007	6	ZMH06019	14			ZSB11111	4,6		
ZMB04009	4,6,8,10,14	ZMJ03008	24			ZSB14008	28,30		
ZMB04016	4,6					ZSB14011	10		
ZMB04048	24					ZSB28001	24		