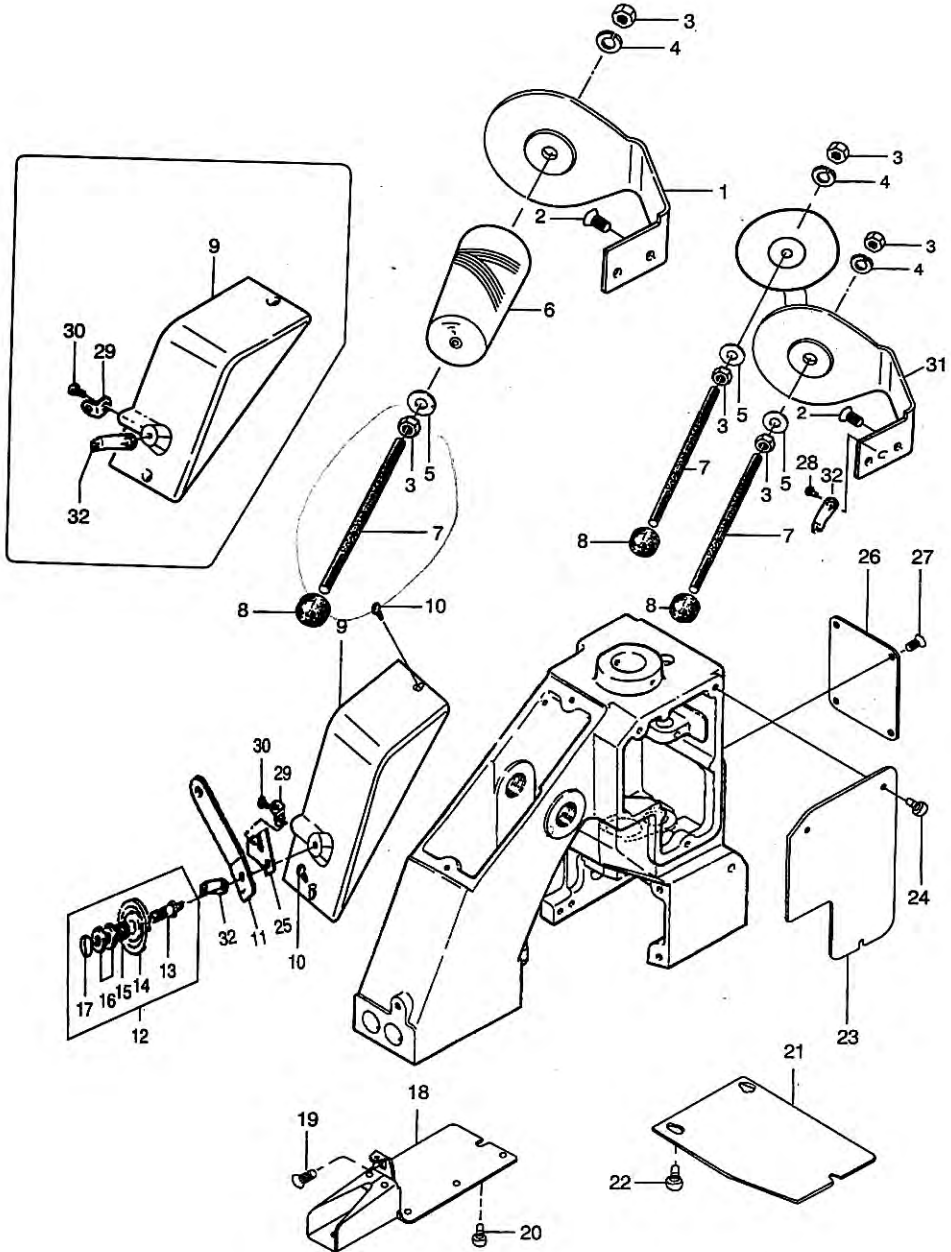


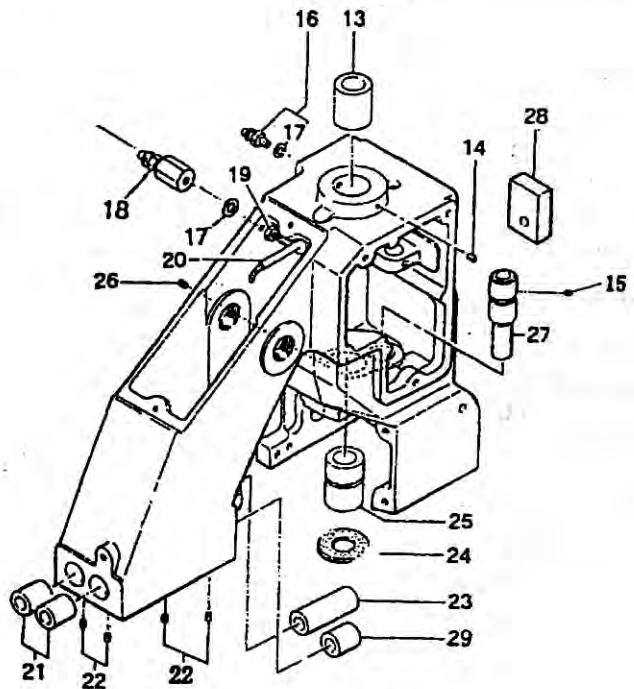
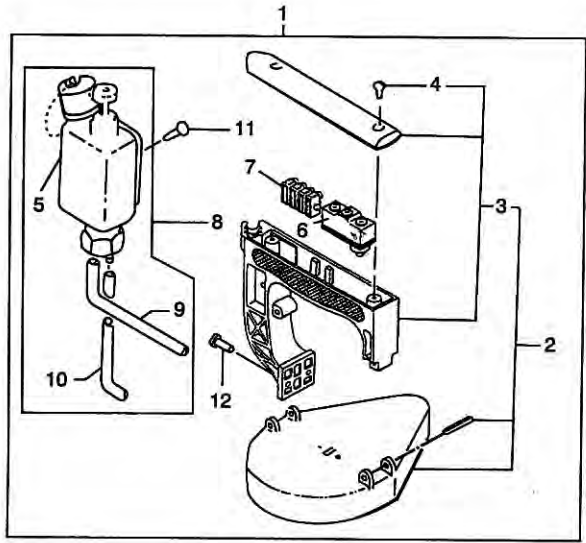
(1) THREAD TENSION AND COVER PARTS



(1) THREAD TENSION AND COVER PARTS

Ref No.	Part No.	Description	Part No. NP - 7	Q'ty	Remarks
1	1-30-3	Thread Stand	245042	1	
2	1-37	Screw, for 245042	15/64S28028	2	
3	GB6175-86	Nut	1N6	2	GK26 - 2 4
4	GB859-87	Spring Washer	3W6	1	GK26 - 2 2
5	GB95-85	Washer	2W6	1	GK26 - 2 2
6	SK Thread	Thread	K01001	1	GK26 - 2 2
7	1-30-1	Thread Cone Clamping Rod	245052	1	GK26 - 2 2
8	1-30-2	Thread Cone Clamping Nut	245201	1	GK26 - 2 2
9	1-21	Top Cover	245014	1	
10	S40	Screw for 245014	9/64S40005	2	
11	1-39	Thread Eyelet	245551	1	GK26 - 2
12	SK	Thread Tension Assembly	245081A	1	(13 - 17)
13	1-17	Tension Post	245081	1	
14	R56	Tension Disc	065261	2	
15	1-20	Tension Spring	245101	1	
16	1-19	Tension Nut	245091	2	
17	1-18	Screw, for 245081A	9/64S40011	1	
18	1-11	Needle Bar Guard	245033	1	
19	S40	Screw, for 245033	9/64S40065	1	
20	S40	Screw, for 245033	9/64S40065	2	
21	1-10	Looper Cover	245222	1	
22	S40	Screw, for 245222	9/64S40065	3	
23	1-12	Side Plate	245022	1	
24	S40	Screw, for 245022	9/64S40005	3	
25	1-40	Thread Tension Eyelet		1	GK26 - 2
26	1-13	Inside Cover	245302	1	
27	S40	Screw, for 245302	9/64S40005	4	
28	GS55	Screw	11/64S40	1	GK26 - 2
29	1-35	Thread Eyelet	245261	1	
30	S40	Screw, for 245261	11/64S40006	1	
31	1-30-3A	Thread Stand		1	GK26 - 2
32	1-16	Thread Tension Eyelet	245071	1	GK26 - 2 2

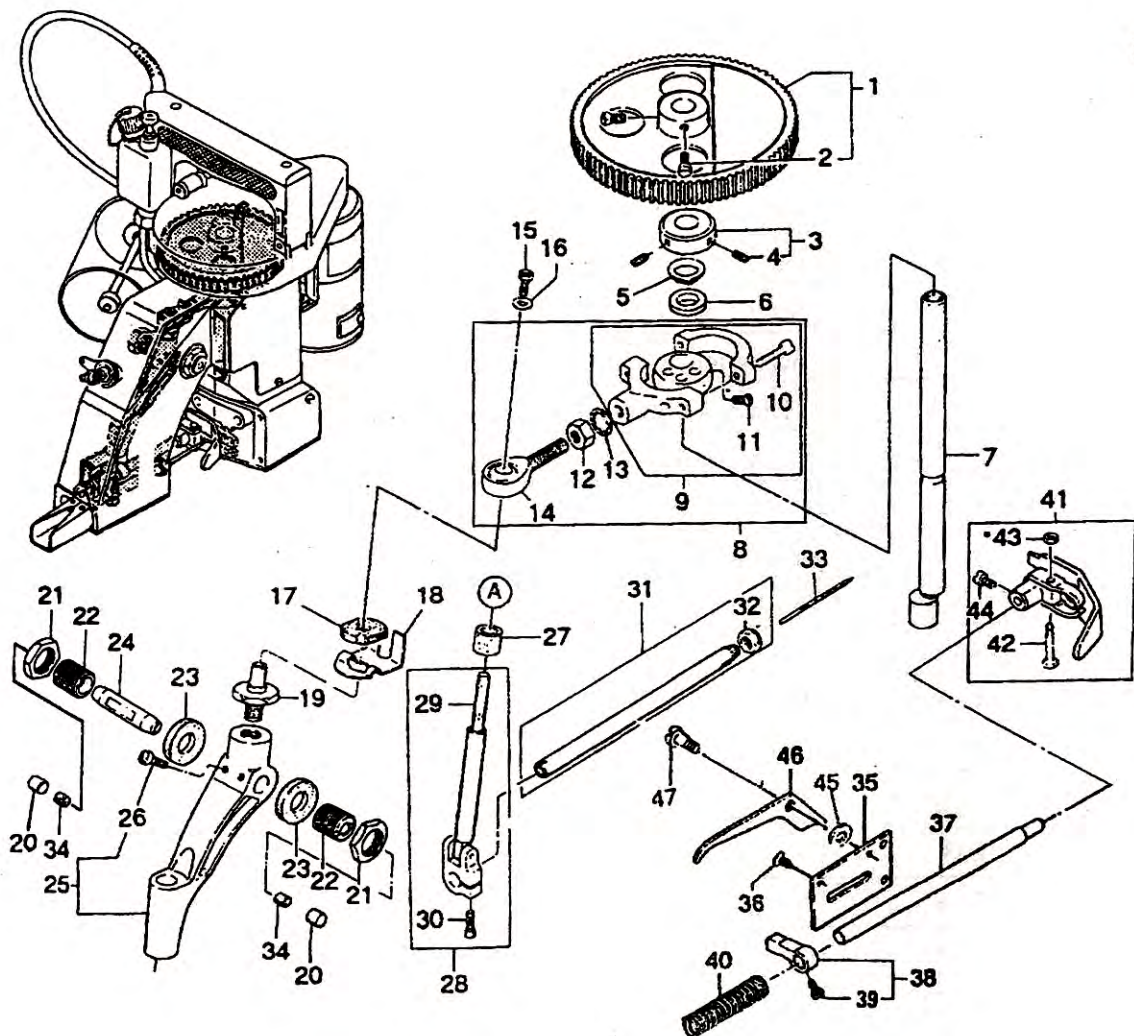
(2) BUSHINGS, OILINGS AND HANDLE PARTS



(2) BUSHINGS, OILINGS AND HANDLE PARTS

Ref No.	Part No.	Description	Part No. NP - 7	Q'ty	Remarks
1	6x26	Handle Assembly	241024AS	1	
2		Handle Assembly	241024A	1	(3 - 4)
3	1 - 2	Handle	241024	1	
4	1 - 18	Screw, for 241024A	9/64S40011	2	
5	6 - 0	Pump		1	
6	Lx5 - 11/D	Micro Switch(Z - 5GK655 - B)	C02001	1	
7	X ₅ C ₀ V ₁ A	Flexible Terminal Block (ML-SK - 1,4P)	C05008	1	
8		Oiler	D03003	1	
9	Oil Tube, 8EU2-6	Oil Tube, with oil felt	8EU2 - 6x90F	1	
10		Oil Tube, with oil felt	8FU2 - 6x60F	1	
11	GB68 - 85	Screw, for D03003	6S5X15	1	
12	1 - 36	Screw, for 241024A	15/64S28021	2	
13	2 - 11	Main Shaft Bushing, rear	241122	1	
14	S38	Screw, for 241122	11/64S40	1	
15	S38 6125538		11/64S40	1	
16	6 - 14	Joint(BN - 5 - 6)	D07021	1	
17	7 - 7	Washer	E03014	2	
18	6 - 15	Joint	245471	1	
19	GB6175 - 86	Nut	1N4	1	
20	6 - 17	Oil Pipe	245461	1	
21	2 - 2	Bushing for Presser Bar&Needle Bar, upper	242212	2	
22	S38	Screw, for 242212	11/64S40	4	
23	5 - 8	Presser Bar Bushing, lower	242222	1	
24	4 - 19	Oil Felt	245541	1	
25	2 - 22	Main Shaft Bushing, lower	241111	1	
26	S38	Screw, for 241111	11/64S40	1	
27	3 - 4	Looper Rocker Shaft Bushing	243021	1	
28	3 - 5	Oil Felt	245162	1	
29	2 - 4	Needle Bar	242212	1	

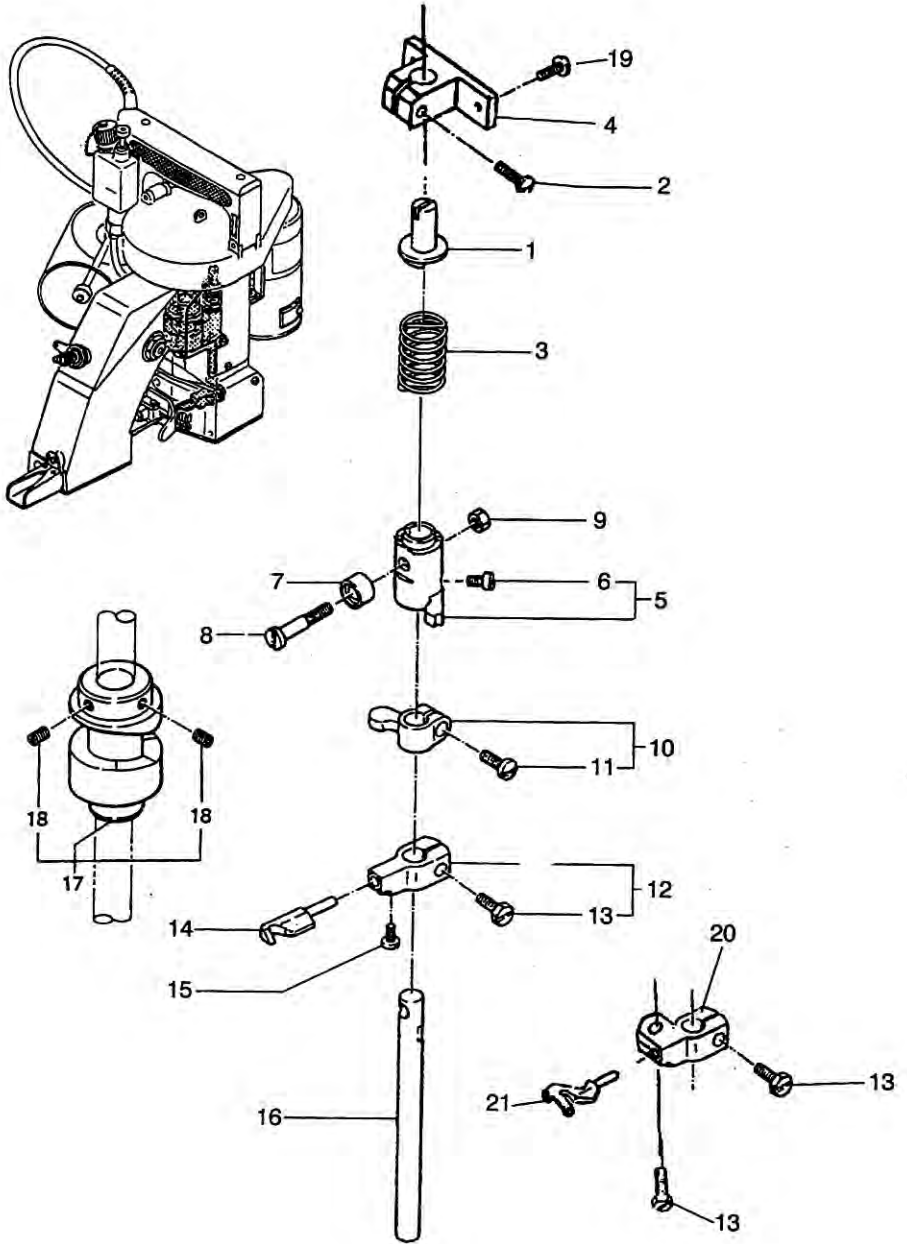
(3) NEEDLE BAR, PRESSER BAR AND DRIVING PARTS



(3) NEEDLE BAR, PRESSER BAR AND DRIVING PARTS

Ref No.	Part No.	Description	Part No. NP - 7	Q'ty	Remarks
1	1 - 23	Synchro Pulley	241092	1	
2	S30	Screw, for 241092	11/64S40	2	
3	2 - 13	Retaining Collar	241131	1	
4	GS55	Screw, for 241131	11/64S40502	2	
5	2 - 10	Spacer	241161	1	
6	2 - 9	Oil Felt	205131	1	
7	2 - 12	Main Shaft	241102	1	
8	.	Connecting Rod Assembly	242011A	1	
9	2 - 8 - 1	Connecting Rod Sub - Assembly	242011	1	
10	2 - 8 - 2	Screw, for connecting rod cap	3/16S28029	2	
11	GS55	Screw, for eccentric cam	11/64S40001	2	
12	GB6175 - 86	Nut, for 242011A	1N8	1	
13	GB861 • 2 - 87	Washer, for 242011A	5W8	1	
14	2 - 8 - 5	Rod End(POS - 8)	6A04001	1	
15	4 - 11	Screw, for 242031	3/16S32	1	
16	GB95 - 85	Washer, for 242031	11/64W15103	1	
(17)	2 - 15	Oil Felt	245211	1	
(18)	2 - 14	Spring	242041	1	
19	2 - 16	Rod End Stud	242031	1	
20		Cap	245491	2	
21	2 - 19	Nut, for 242081	5/8N18101	2	
22	2 - 18	Adjusting Stud	242081	2	
23	2 - 21	Oil Felt	245231	2	
24	2 - 20	Needle Bar Lever Stud	242071	1	
25	2 - 7	Needle Bar Lever Assembly	242051A	1	
26	S30	Screw, for 242051A	11/64S40004	2	
27	2 - 3 - 3	Oil Felt	245371	1	
28	2 - 3 - 1 2 - 3 - 2 2 - 3 - 4	Needle Bar Connection Assembly	242101A	1	
(29)	2 - 3 - 5	Oil Felt	205171	1	
30	GS55	Screw, for 242101A	11/64S40003	1	
31	2 - 1	Needle Bar with Nut	242121A	1	
32	2 - 5	Needle Clamp Nut	242131	1	
33	2 - 6	Needle(DNx1#25)	B01002	1	
34		Oil Felt	055561	2	
35	5 - 5	Presser Foot Lifter Base	242172	1	
36	S47	Screw, for 242172	11/64S40002	3	
37	5 - 9	Presser Bar	242201	1	
38	5 - 7	Presser Bar Connection	242181	1	
39	GS55	Screw, for 242181	11/64S40003	1	
40	5 - 6	Presser Spring	242191	1	
41	5 -	Presser Foot Assembly	242231A	1	
42	5 - 2	Screw	9/64S40055	1	
43	5 - 1	Nut	9/64N40101	1	
44	GS55	Screw, for 242231A, 242233A	11/64S40005	1	
45	5 - 13	Washer		1	
46	5 - 12	Presser Foot Lifter	242161	1	
47	5 - 14	Screw, for 242161		1	

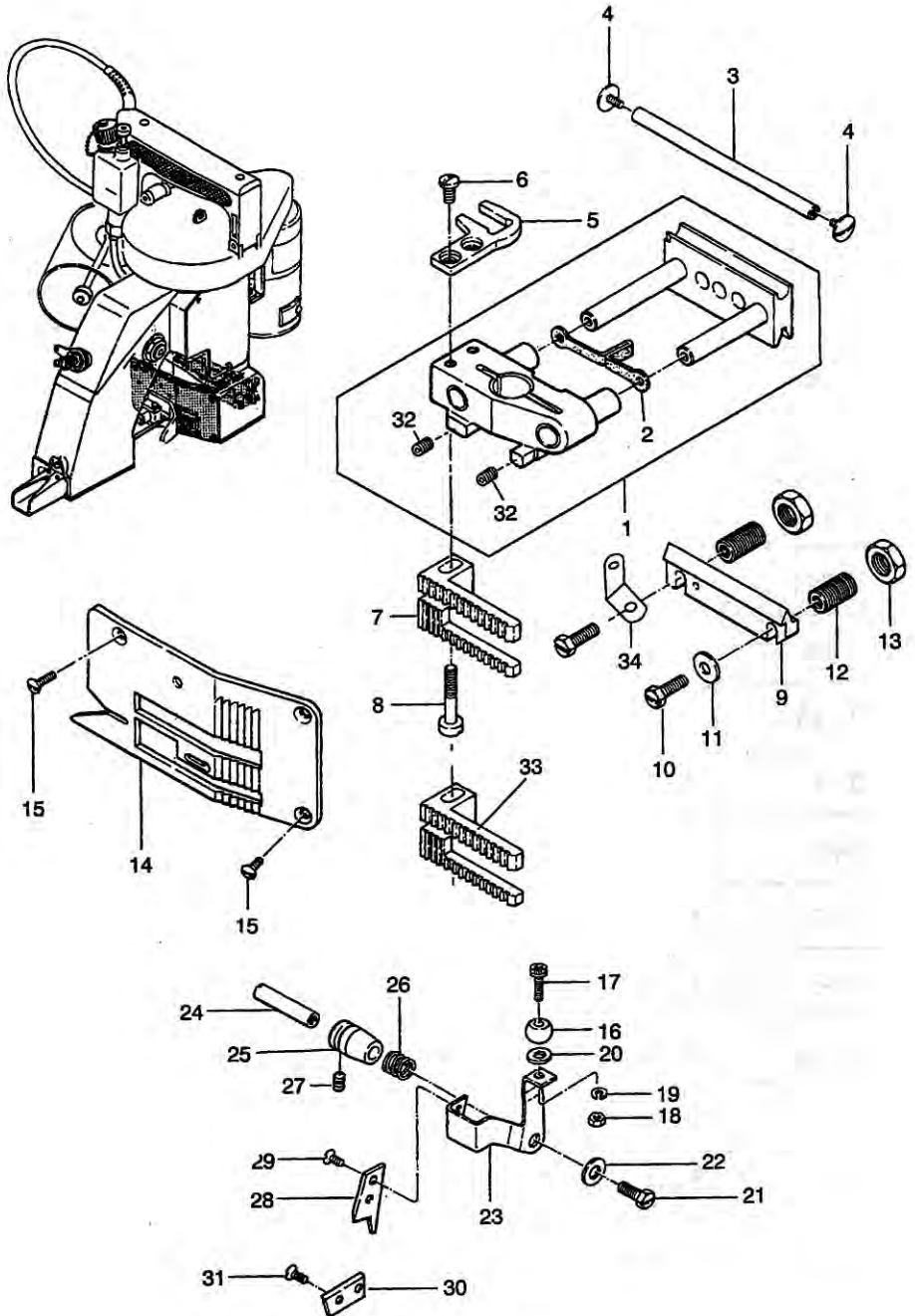
(4) LOOPER DRIVING PARTS



(4) LOOPER DRIVING PARTS

Ref No.	Part No.	Description	Part No. NP - 7	Q'ty	Remarks
1	3 - 14	Spring Suporter	243121	1	
2	S30	Screw	11/64S40	1	
3	3 - 12	Spring	243131	1	
4	3 - 13	Spring Supporter Block	243111	1	
5	3 - 8	Looper Rocker Shaft Arm(A)	243071	1	
6	GS55	Screw, for 243071	11/64S40	1	
7	3 - 11	Roller	243041	1	
8	3 - 9	Roller Stud Screw	243061	1	
9	3 - 10	Nut, for 243061.	11/64N40201	1	
10	3 - 7	Looper Rocker Shaft Arm(B)	243081	1	
11	GS55	Screw, for 243081	11/64S40	1	
12	3 - 2	Looper Rocker	243092	1	
13	3 - 15	Screw, for 243092	11/64S40089	1	JK26 - 2 2
14	3 - 1	Looper	243102	1	
15	S40	Screw, for 243102	9/64S40001	1	
16	3 - 3	Looper Rocker Shaft	243032	1	
17	3 - 6	Looper Drive Cam	243012	1	
18	S2	Screw, for 243012	15/64S28524	2	
19	S40	Screw	9/64S40	2	
20	3 - 2A	Looper Rocker		1	JK26 - 2
21	3 - 1A	Looper		1	JK26 - 2

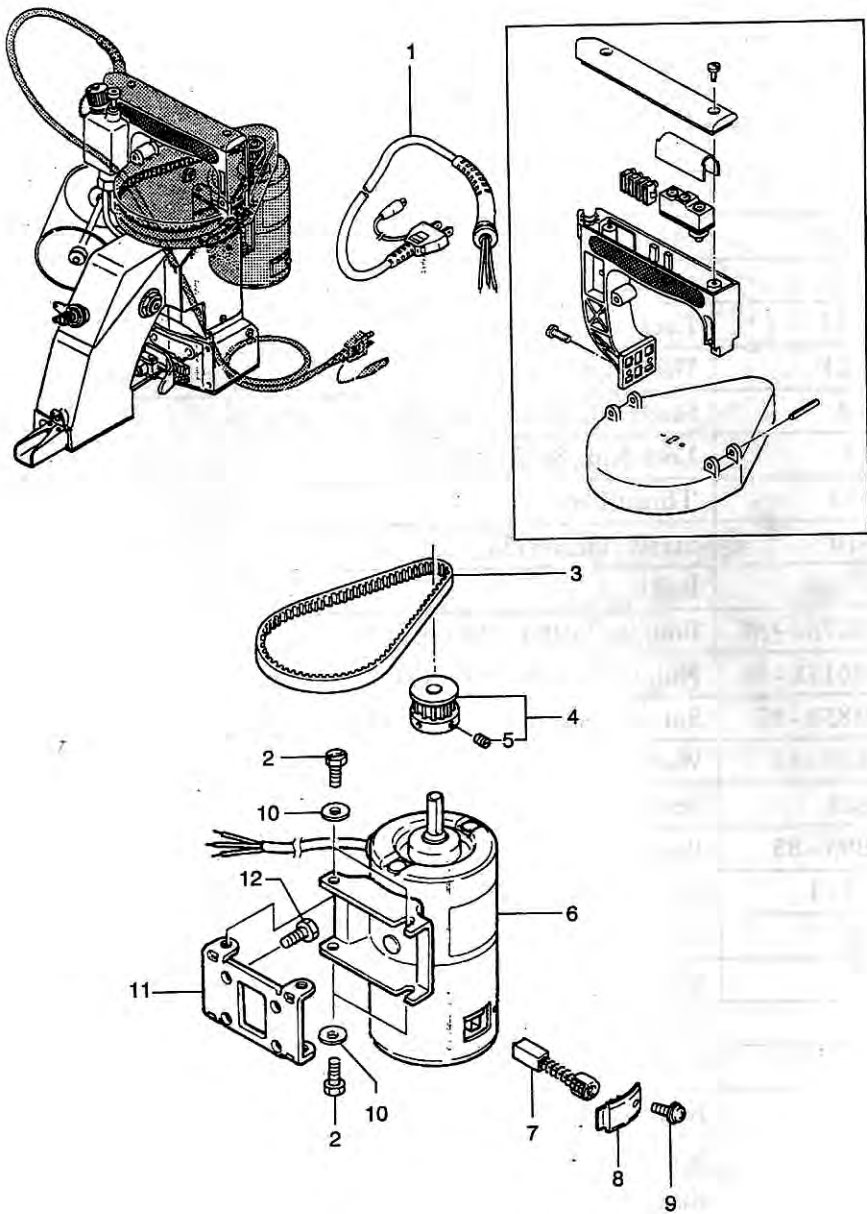
(5) FEED DRIVING AND THREAD CUTTER PARTS



(5) FEED DRIVING AND THREAD CUTTER PARTS

Ref No.	Part No.	Description	Part No. NP - 7	Q'ty	Remarks
1	4 - 18	Feed Dog Carrier Blocd Assembly	244011A		
2	4 - 21	Oil Felt	245391	1	
3	4 - 25	Slide Block Guide Stud	244102	1	
4	1 - 18	Screw, for 244102	9/64S40011	2	
5	4 - 15	Knife Bracker Extension	246011	1	
6	4 - 11	Screw , for 246011	3/16S32031	2	
7	4 - 14	Feed Dog	244111	1	
8	4 - 12	Screw , for 244111	3/16S32034	1	
9	4 - 24	Slide Block Adjusting	244081	1	
10	4 - 23	Lock Bolt, for 244091	3/16S32025	2	
11	2 - 24	Washer , for 244091	11/64W15103	2	GK26 - 2 1
12	4 - 2	Stud Slide Block Adjusting Support	244091	2	
13	4 - 1	Lock Nut , for 244091	3/8N24201	2	
14	4 - 13	Throat Plate	244122	1	
15	4 - 10	Screw , for 244122	9/64S40043	3	
16	4 - 9 - 2	Ball	246081	1	
17	GB5783 - 86	Bolt, for 246081 (M3 x 0.5 x 121)	4B x 12	1	
18	GB6175 - 86	Nut, for 246081 (M3 x 0.5)	1N3	1	
19	GB859 - 87	Spring Lock washer (M3)	3W3	1	
20	GB95 - 85	Washer, for 246081 (M3)	1W3	1	
21	GS55	Screw ,fpr 246021	11/64S40049	1	
22	GB95 - 85	Washer, for 246021	11/64W15103	1	
23	4 - 9 - 1	Knife Bracket	246021	1	
24	4 - 5	Knife Bracket Pin	246032	1	
25	4 - 4	Bushing, for 246032	246042	1	
26	4 - 6	Knife Tension Spring	246051	1	
27	S38	Screw, for 246042	11/64S40	1	
28	4 - 9 - 3	Knife Moving	246061	1	
29	4 - 7	Screw, for 246061	1/8S40003	2	
30	4 - 8	Knife Stationary	246071	1	
31	4 - 7	Screw, for 246071	1/8S40003	2	
32	4 - 17	Screw		2	
33	4 - 14A	Feed Dog		1	GK26 - 2
34	1 - 35	Thread Eyelet		1	GK26 - 2

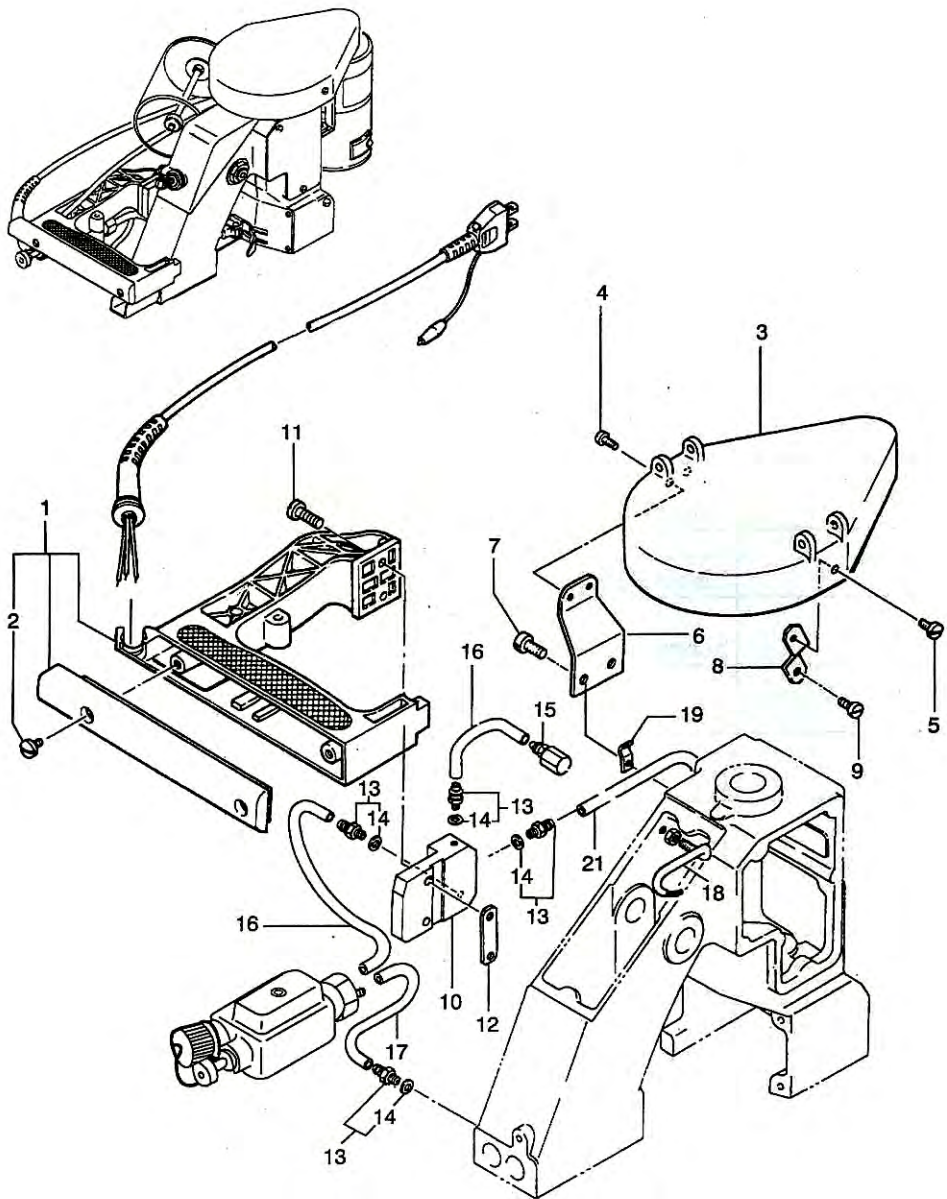
(6) MOTOR, PARTS (For Totally Enclosed Type Motor)



(6) MOTOR, PARTS(For totally Enclosed Type Motor)

Ref No.	Part No.	Description	Part No. NP - 7	Q'ty	Remarks
1	1 - 9	Cabtyer Cord, With Plug(Stan - dard Type)	C04001	1	
	GK ²⁶ .C04003	Cabtyer Cord, With Plug (American Type)	C04003	1	
	GK ²⁶ .C04004	Cabtyer Cord, Word, With Plug (British Type)	C04004	1	
	GK ²⁶ .C04005	Cabtyer Cord, With Plug (Ger - man Type)	C04005	1	
		Cabtyer Cord, With Plug (French Type)	C04006	1	
		Cabtyer Cord, With Plug (Aus - tralian Type)	C404007	1	
		Cabtyer Cord, With Plug (South Africa Type)	C04012	1	
2	3 - 15	Screw	11/64S40091	4	
3	1 - 22	Timing Belt	F01001	1	
4	1 - 29	Motor Pulley	241083	1	
5	S38	Screw, for 241083		2	
6	GK ²⁶ .C01028	Universal Motor(220V - 90W)	C01028	1	
		Universal Motor(240V - 90W)	C01029	1	
		Universal Motor(110V - 90W)	C01030	1	
7		Carbon Brush	C08004	2	
8		Cap	C07003	2	
9	GB818 - 85	Screw	4S3 x 6 - W	2	
10	GB95 - 85	Washer	11/64W10101	4	
11	1 - 27	Motor Base B	241073	1	
12	1 - 32	Screw, for 241073	15/64S28004	4	

(7) SPECIAL PARTS FOR GK26 - 1H



(7) SPECIAL PARTS FOR GK26 - 1H

Ref No.	Part No.	Description	Part No. NP - 7	Q'ty	Remarks
1	1 - 2 - 1	Handle	241024	1	GK26 - 1 H
2	1 - 18	Screw	9/64S40011	2	
3	1 - 2 - 2	Pulley Cover	241212	1	GK26 - 1 H
4	GB65 - 85	Screw , for 241053	9/64S40004	2	GK26 - 1 H
5	GB65 - 85	Screw , for 241053	9/64S40052	1	GK26 - 1 H
6	7 - 1	Pulley Cover Holder A	241242	1	GK26 - 1 H
7	1 - 32	Screw , for 241242	15/64S28004	2	
8	7 - 2	Pulley Cover Holder B	241231	1	GK26 - 1 H
9	S40	Screw , for 241231	9/64S40005	1	
10	7 - 3	Handle Base	241223	1	GK26 - 1 H
11	GB70 - 85	Screw , for 241253	15/64S28032	2	
12	7 - 4	Handle Base Holder	241253	1	GK26 - 1 H
13	7 - 5	Joint (BN - 5 - 6)	D07021	4	GK26 - 1 H
14	7 - 7	Washer	E03014	3	
15	6 - 15	Joint		1	
16		Oil Tube ($\phi 6 \times 95l$), With oil felt	8FU2 - 6 x 95F	2	
17		Oil Tube ($\phi 6 \times 95l$), With oil felt	8FU2 - 6 x 70F	1	
18	6 - 17	Oil Pipe	245462	1	
19	7 - 6	Tube Dlip	D07009		