

Small diameter cylinder bed



W200

SERIES



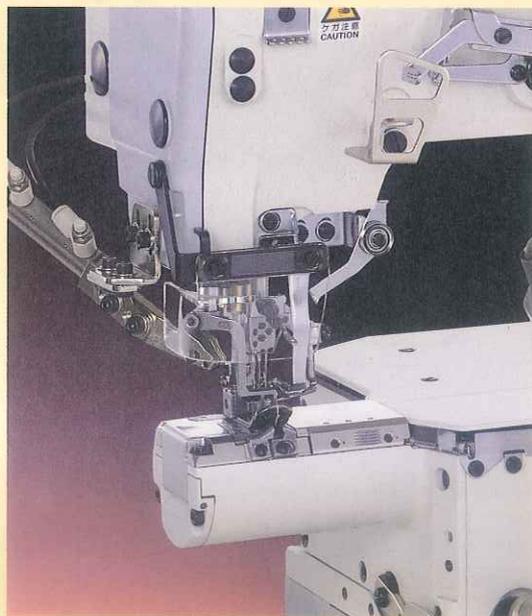
Small cylinder bed, interlock stitch machines with top cover thread

WT200

SERIES



Variable top feed, small cylinder bed, interlock stitch machines with top cover thread



The nice interrelation of
Hi-technology and
Human sensibility.
This is the main theme of
Pegasus new products.

Features the smaller diameter cylinder bed which is packed with precision mechanism as well as the variable top feed with top cover thread.

Pegasus has achieved these good results based on our experience as a leading manufacturer of industrial sewing machines.

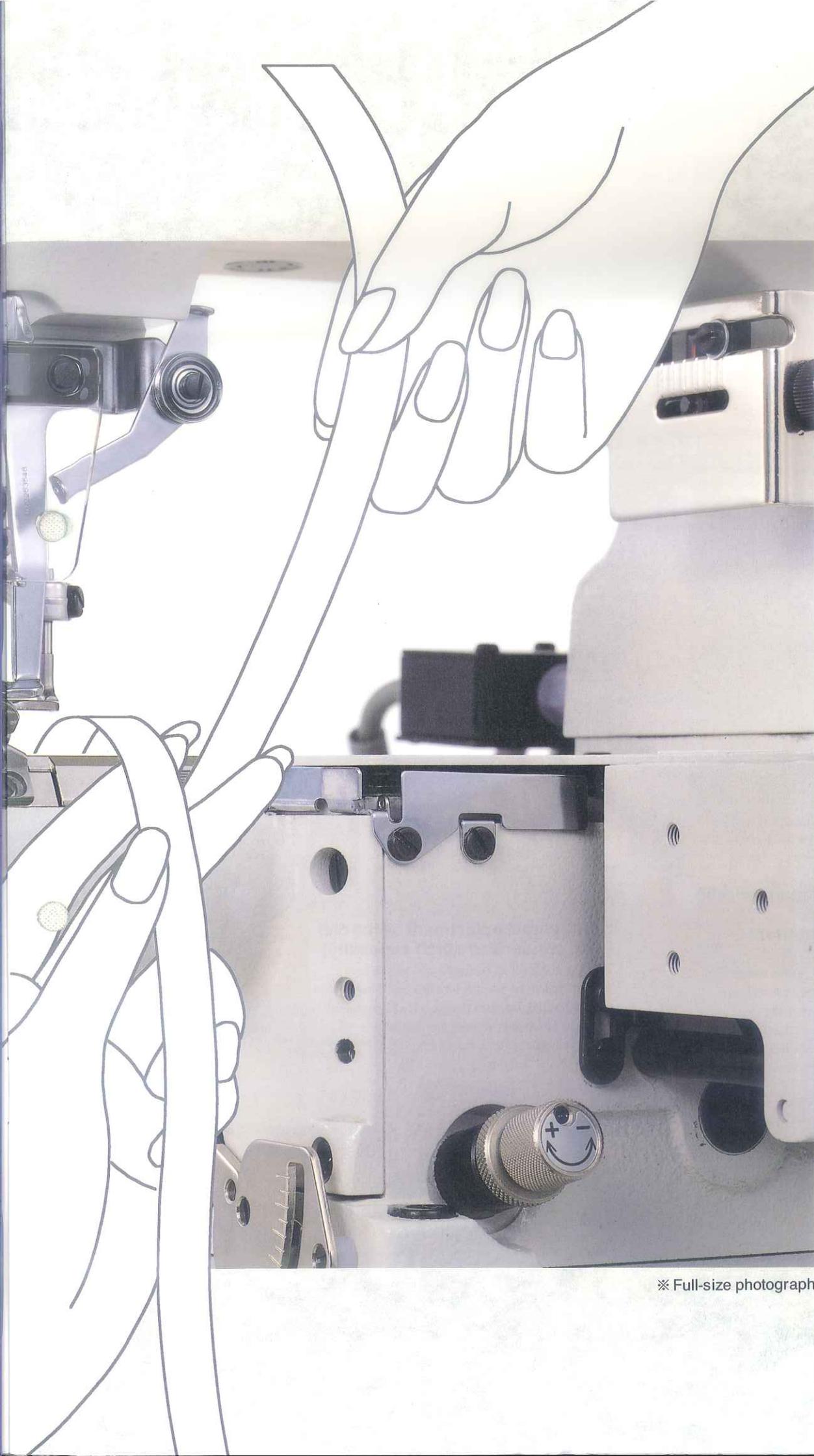
Debut of the W200/WT200 Series with the slim cylinder bed!

This is the new W200/WT200 Series with user-friendly design for ease of operation, and including the high quality functions of conventional machines.



**Variable top feed
with top cover thread
(WT200)**

Circumference **177mm**
**Small diameter
cylinder bed**

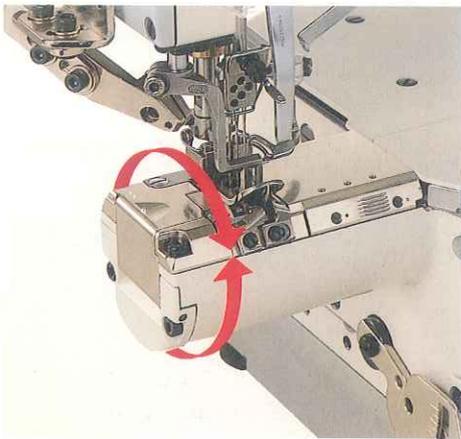


※ Full-size photograph

The smaller cylinder bed and state-of-the-art fun mechanism increase ease of operation dramatic

Increases efficiency with the slim cylinder bed.

Since the circumference of the cylinder bed has decreased to 177mm, you can easily sew arm holes and neck openings of children's wear or small tubular goods which have previously been difficult. In addition, handling the fabric is effortless because of the shortened distance from the cylinder bed end to the needle drop hole.

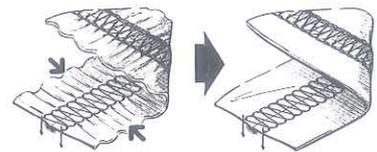
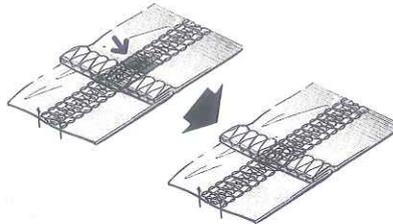


Produces beautifully finished products with the variable top feed mechanism (WT200 Series).

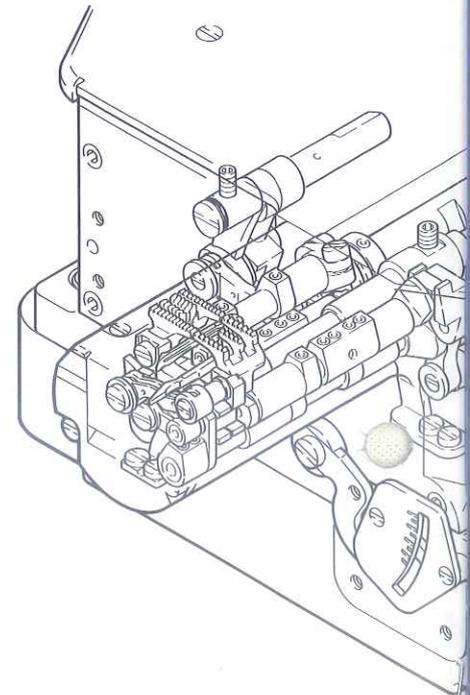
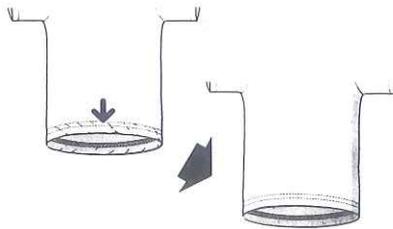
Equipped with the independently driven top feed mechanism, feed efficiency is significantly increased. This uniform and efficient feed produces beautifully finished products with no trouble.

1 This mechanism prevents the seam from jamming on cross seam sections and eliminates skip stitching.

2 Even covering is performed.



3 No distortion occurs in a bottom hemming operation.



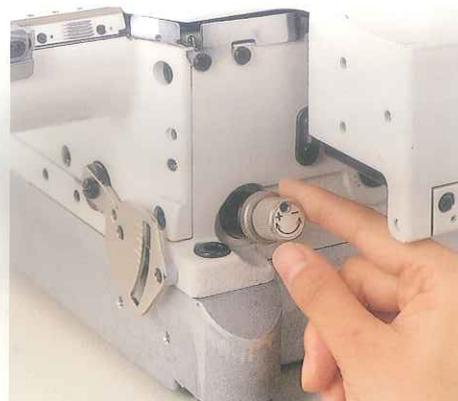
Easy-to-adjust differential feed ratio with the lever (available for an intermittent adjustment)

The differential feed ratio can be easily changed by moving the differential feed adjusting lever up or down. No driver is needed. By adopting the intermittent method on the differential feed ratio adjustment, partial ruffling is performed during sewing with the knee switch.



Stitch length adjustment by the dial (with condensed stitch capability)

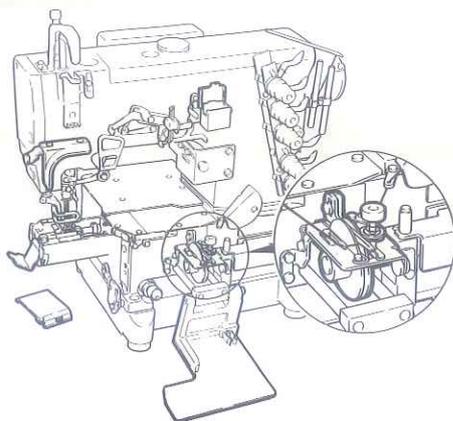
To make a stitch length adjustment, all you have to do is loosen the nut and turn the dial. Thanks to the interlocking between the main feed dog and the differential feed dog, you can readily produce condensed stitches with the lever.



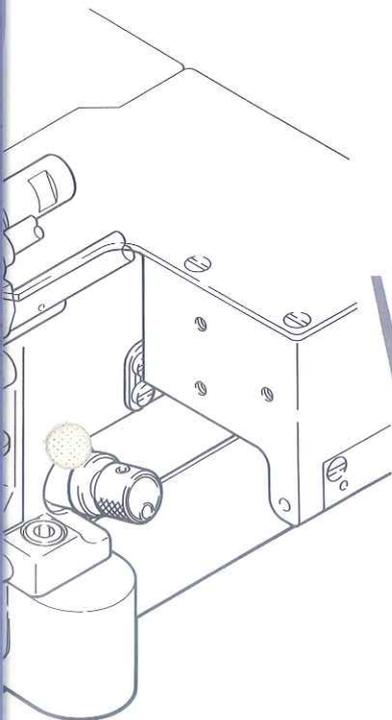
ctions and cally.

User-friendly design into details

The front cover, side cover and cylinder bed cover open widely. Since the looper thread take-up thread guide holder can be raised effortlessly by a finger, threading a looper thread and adjusting and cleaning each component are easy.

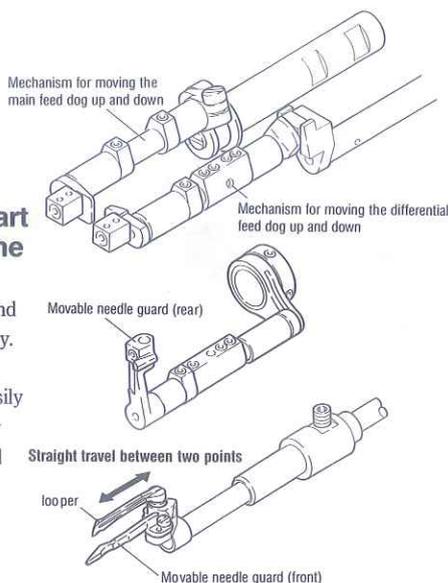


W200 Series WT200 Series



Various kinds of state-of-the-art functions are retained from the celebrated W600 Series.

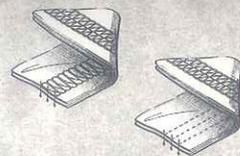
The independently driven main feed dog and differential feed dog increase feed efficiency. Thanks to the movable needle guard mechanism, timing to the needle can be easily adjusted. The looper that travels straightly between two points produces beautiful and uniform seams.



Subclasses responding to different kinds of needs

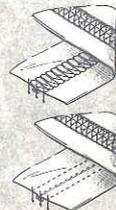
-01 Plain seaming

- Basic model of W200/WT200 Series
- For decorative stitching on medium to heavy weight fabrics
- Available for wide range of applications by installing attachments



-03F Covering (flattening out overlock seams)

- For covering by flattening out overlock seams on medium weight fabrics such as sweat shirts, sportswear
- Each of the presser foot, needle plate, needle plate bracket, differential feed dog includes fabric guide
- Left-to-right adjusting type needle plate bracket fabric guide (right)



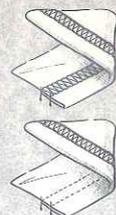
-03G Covering (folding over overlock seams)

- For covering by folding over overlock seams on light weight fabrics such as T-shirts, blouses
- Each of the presser foot, needle plate, needle plate bracket, differential feed dog includes fabric guide
- Left-to-right adjusting type presser foot fabric guide



-08 Hemming

- For light to medium weight fabrics such as T-shirts, underwear, sportswear
- Equipped with the guide designed for hemming
- -08A: For sewing while forming a narrow hem
- -08B: For sewing while forming a wide hem (Hem width is adjustable)



Labor Saving Devices

Tooled up with a variety of labor saving devices to provide the feature that will best suit the needs of those involved in actual production.



UT

Thread Trimmer This device eliminates the use of scissors allowing you to concentrate on sewing operation. The result is a boosted efficiency.

■ Top and under thread trimmer

This trimmer cuts needle thread, looper thread and even top cover thread simultaneously. Especially for trimming of sewing with top cover thread. (Pneumatic/Electric)



■ Under thread trimmer

This trimmer cuts fast the needle thread and looper thread when the pedal is heeled. The needle thread and presser foot are lifted up by the wiper after trimming, so that the fabric can be set up in no time. (Pneumatic/Electric)

■ Pneumatic / UT features

Type	Needle thread wiper	Presser foot lift	Top cover thread trimmer
UT322	Electric	Pneumatic	-
UT323	Electric	-	-
UT324	-	Pneumatic	-
UT325	-	-	-
UT326	Pneumatic	Pneumatic	-
UT327	Pneumatic	Pneumatic	-
UT450	-	Pneumatic	Pneumatic
UT451	-	-	Pneumatic
UT452	-	Pneumatic	Pneumatic
UT453	-	-	Pneumatic

■ Pneumatic / UT applications

Type	Applicable model					
	W264 -01	W264 -03	W264 -08	WT264 -01	WT264 -03	WT264 -08
UT322			○			○
UT323			○			○
UT324	○	○		○	○	
UT325	○	○		○	○	
UT326	○	○	○			
UT327				○	○	○
UT450					○	○
UT451				○	○	○
UT452	○	○	○			
UT453	○	○	○			

■ Electric / UT features

Type	Needle thread wiper	Presser foot lift	Top cover thread trimmer
UT117	Electric	Electric	-
UT118	Electric	-	-
UT119	-	Electric	-
UT120	-	-	-
UT216	-	Electric	Electric
UT217	-	-	Electric

■ Electric / UT applications

Type	Applicable model					
	W264 -01	W264 -03	W264 -08	WT264 -01	WT264 -03	WT264 -08
UT117			○			○
UT118			○			○
UT119	○	○		○	○	
UT120	○	○		○	○	
UT216	○	○	○			
UT217	○	○	○			



PL

Presser Foot Lift

The presser foot can be lifted pneumatically with heel treadle. Ease of operation decreases operators fatigue.



MS

Condensed-stitch Device (Fraying-proof)

To prevent fraying at the end of sewing, this device is provided to achieve a fine stitch length (condensed stitch) without machine stop. This saves one process that was required in the conventional method to prevent fraying. All it means is higher quality.

W200/WT200 Series

● Ordering information

WT 264 - 01C B × 2 40

1
2
3
4

1 Subclass

3 Number of needles

2 Needle plate

4 Needle space (mm)

A: Suitable for the fine stitch length (1.7mm or less) obtained with a tight needle thread tension

B: For standard stitch length (1.8-2.3mm)

C: Suitable for the coarse stitch length (2.5mm or more) obtained with a loose needle thread tension

W200 Series subclass specifications

Application	Subclasses	No. of needles	No. of threads	Needle space (mm)	Max. stitch length (mm)	Diff. feed ratio	Presser foot lift (mm)	Max. speed (rpm)	Remarks
Plain seaming	W264-01CB	2	4	3.2 • 4 • 4.8 • 5.6 • 6.4	4.2	0.8~1.4	5.8	5,000	
		3	5	5.6 • 6.4			5.1		
	W264-01EB	2	4	4.8	4.2	0.8~1.4	5.8	5,000	
		3	5	5.6 • 6.4			5.1		
Covering	W264-03FB	2	4	4 • 4.8 • 5.6 • 6.4	4.2	0.8~1.4	5.8	5,000	To flatten out overlock seams (for medium weight fabric)
		3	5	5.6 • 6.4			5.1		
	W264-03GB	2	4	4 • 4.8	4.2	0.8~1.4	5.8	5,000	To fold over overlock seams (for light weight fabric)
		3	5	5.6 • 6.4			5.1		
Hemming	W264-08AB	2	4	4 • 4.8	4.2	0.8~1.4	5.8	5,000	For sewing while forming a narrow hem
		3	5	5.6 • 6.4			5.1		
	W264-08BB	2	4	3.2 • 4 • 4.8	4.2	0.8~1.4	5.8	5,000	For sewing while forming a wide hem (Hem width is adjustable)
		3	5	5.6 • 6.4			5.1		

Note: Maximum speed may change according to the differential feed ratio.
Maximum differential feed ratio may change according to the stitch length.

WT200 Series subclass specifications

Application	Subclasses	No. of needles	No. of threads	Needle space (mm)	Max. stitch length (mm)	Diff. feed ratio	Top feed dog movement amount (mm)	Presser foot lift (mm)	Max. speed (rpm)	Remarks
Plain seaming	WT264-01CB	2	4	3.2 • 4 • 4.8 • 5.6 • 6.4	4.2	0.8~1.4	1~6	6	5,000	
		3	5	5.6 • 6.4						
	WT264-01EB	2	4	4.8	4.2	0.8~1.4	1~6	6	5,000	
		3	5	5.6 • 6.4						
Covering	WT264-03FB	2	4	4 • 4.8 • 5.6 • 6.4	4.2	0.8~1.4	1~6	6	5,000	To flatten out overlock seams (for medium weight fabric)
		3	5	5.6 • 6.4						
	WT264-03GB	2	4	4 • 4.8	4.2	0.8~1.4	1~6	6	5,000	To fold over overlock seams (for light weight fabric)
		3	5	5.6 • 6.4						
Hemming	WT264-08AB	2	4	4 • 4.8	4.2	0.8~1.4	1~6	6	5,000	For sewing while forming a narrow hem
		3	5	5.6 • 6.4						
	WT264-08BB	2	4	3.2 • 4 • 4.8	4.2	0.8~1.4	1~6	6	5,000	For sewing while forming a wide hem (Hem width is adjustable)
		3	5	5.6 • 6.4						

Note: Maximum speed may change according to the differential feed ratio and top feed movement amount.
Maximum differential feed ratio may change according to the stitch length.

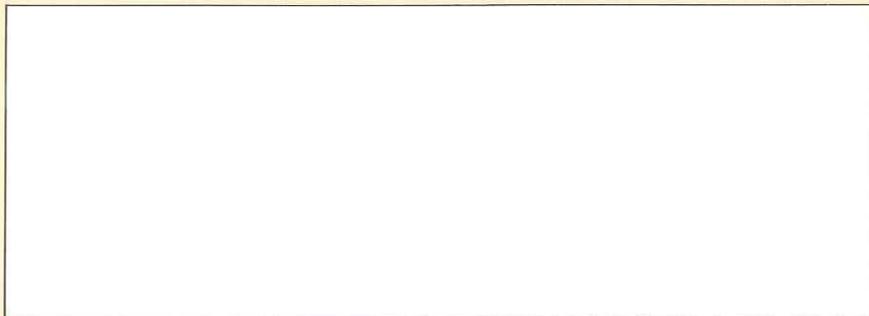




PEGASUS SEWING MACHINE MFG. CO., LTD.

5-7-2, Sagisu, Fukushima-ku, Osaka 553-0002, Japan
Phone:(06)6458-4739 Telefax:(06)6454-0867

PEGASUS Web Site :
<http://www.pegasus.co.jp>



The specification and/or appearance of the equipment described in this catalog are subject to change because of modification without previous notice.