

金輪牌工業用縫紉機

GOLDEN WHEEL INDUSTRIAL SEWING MACHINE

零件分解圖

PARTS BOOK

- ① 2017. 01. 11 P10
- ② 2017. 06. 01 P24
- ③ 2017. 09. 14 P14
- ④ 2017. 11. 07 P24
- ⑤ 2018. 11. 14 P02. P08
- ⑥ 2019. 11. 01 P02

MODEL: CS-747 G

CS-747L G

啟 翔 股 份 有 限 公 司
CHEE SIANG INDUSTRIAL CO., LTD.

MODEL : CS-747/747L

索引	INDEX	PAGE
A、本體機構	ARM BED AND IT'S ACCESSORIES	2-3
B、押棒機構	PRESSER FOOT MECHANISM	4-5
C、刀軸機構	KNIFE SHAFT MECHANISM	6-9
D、送料與磨刀機構	FEEDING MECHANISM AND KNIFE GRINDING MECHANISM	10-11
E、磨刀機構	KINFE GRINDING MECHANISM	12-13
F、送料機構	FEEDING MECHANISM	14-15
G、送料調整機構	FEED REGULATING	16-17
H、附件	ACCESSORIES	18-19
I、特別配件組	SPECIAL PARTS	20-21
J、零件號碼與頁數對照	NUMERICAL PARTS-LIST	22-23
K、本體機構(全罩式)	ARM BED AND IT'S ACCESSORIES	24

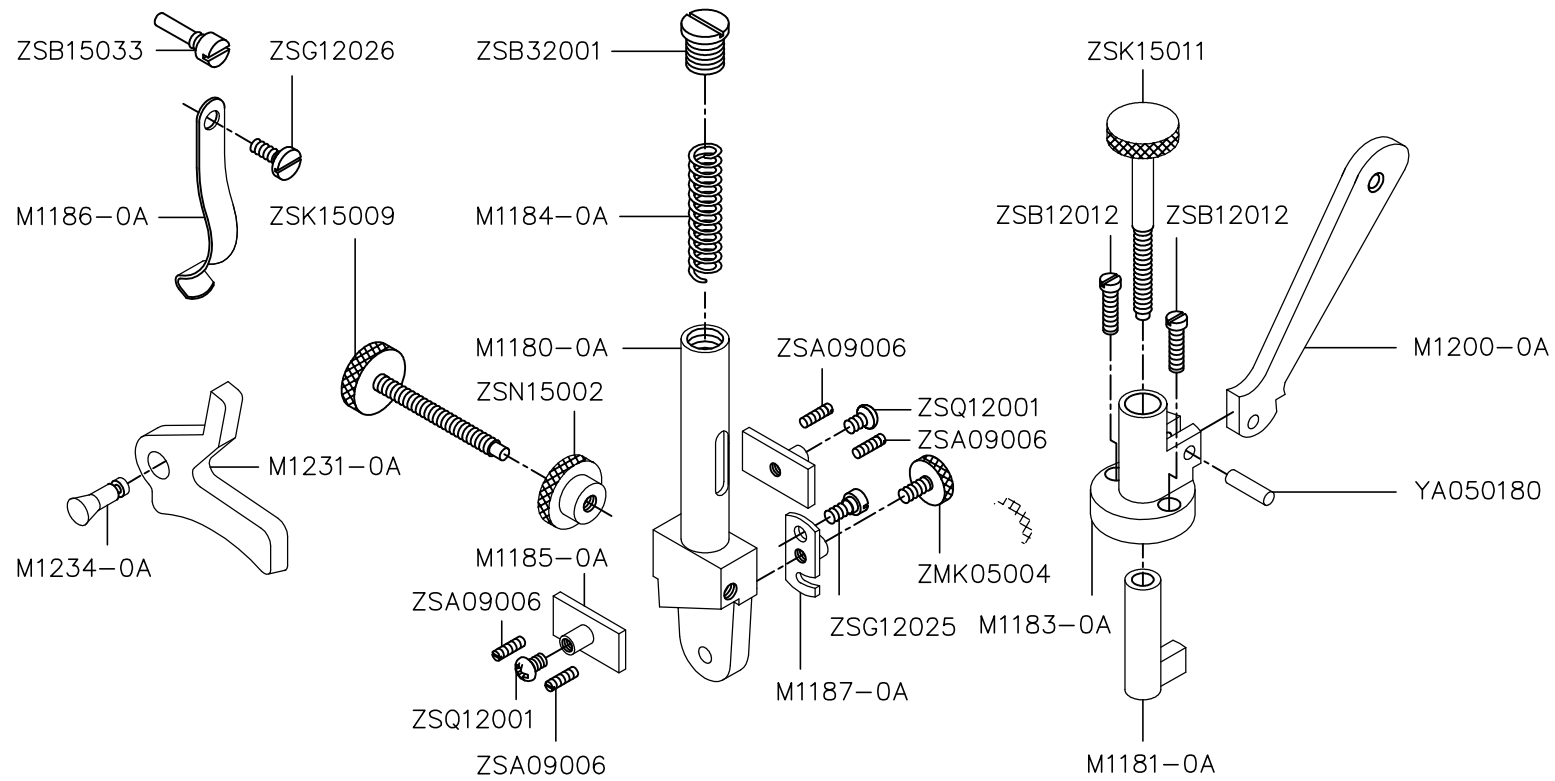
A. CS-747/747L 本體機構 ARM BED AND IT'S ACCESSORIES

零件號碼 Part No	零件名稱	Name of Part	件數 747	Q, TY 747L	備註 Remarks
M1000-0A	機座	Bed	1	0	
M1010-0A	防塵蓋	Dust-Proof Cover	1	1	
M1011-0A	皮帶外蓋	Belt Cover Plate	1	1	
M1012-0B	皮帶上蓋	Belt Cover Lid	1	1	
M1014-0A	離合器控制塊	Clutch Control Block	1	1	
M3000-0A	臂	Arm	1	0	
M4027-0A	齒輪箱	Worm Gear Box	1	1	
M4028-0A	齒輪箱蓋	Worm Gear Box Cover	1	1	
M4045-0A	橫軸後襯套	Transmission Shaft	1	1	
M4046-0A	V皮帶上蓋止塊	Belt Cover Lid Stopper	1	1	
M4080-0A	滑板 A	Slide Plate A	1	1	
M4081-0A	滑板 B	Slide Plate B	1	1	
M4082-0A	滑板 C	Slide Plate C	1	1	
M4087-0A	定規	Ruler	1	1	
M4404-0A	切屑止擋板	Waste Feeder Metals	1	1	
M4406-0A	排屑板	Chip Removal Plate	1	1	
WA069012	平墊圈	Washer	1	1	
Y-1-01	臂	Arm	0	1	
Y-2-02	機座	Bed	0	1	
YD060024	彈簧銷	Spring Pin	1	1	
ZMB04047	螺絲	Screw (M4-0.7x8)	2	2	
ZMF06001	螺絲	Screw (M6-1.0x17)	2	2	
ZSA20003	螺絲	Screw (5/16-24x32)	1	1	
ZSC09005	螺絲	Screw (9/64-40x7.5)	3	3	
ZSC11002	螺絲	Screw (11/64-40x9)	8	8	
ZSD09004	螺絲	Screw (9/64-40x8)	2	2	
ZSD20003	螺絲	Screw (5/16-24x21)	1	1	
ZSK08003	螺絲	Screw (PT1/8)	1	1	
ZSL20004	螺帽	Nut (5/16-24x7)	1	1	
ZSN15002	螺帽	Nut (15/64-28x12)	1	1	
ZSQ09006	螺絲	Screw (9/64-40x6)	1	1	
ZSQ15002	螺絲	Screw (15/64-28x31)	1	1	

B. CS-747/747L

押脚機構

PRESSER FOOT MECHANISM



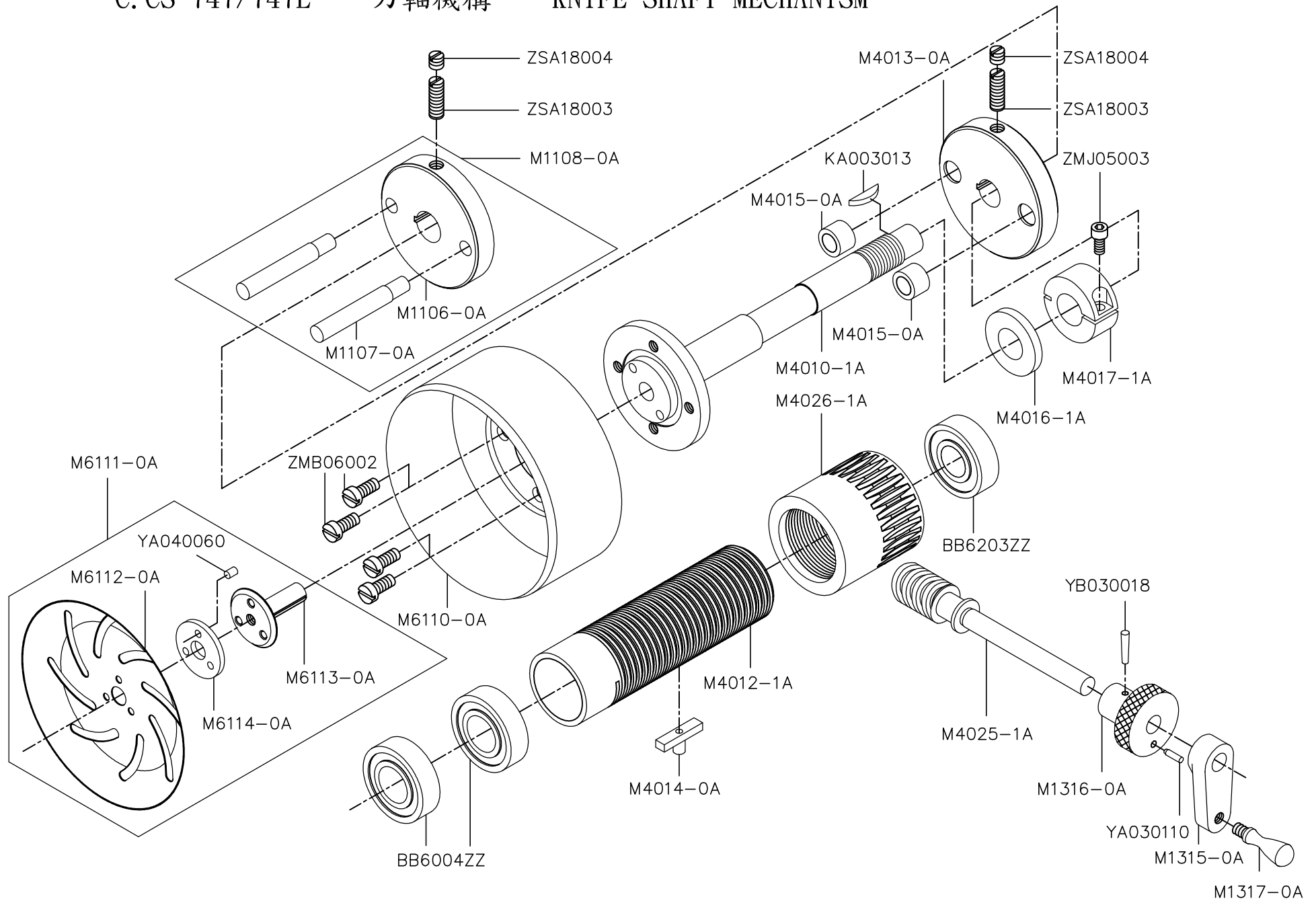
B. CS-747/747L 押腳機構 PRESSER FOOT MECHANISM

零件號碼 Part No	零件名稱	Name of Part	件數 747	Q, TY 747L	備註 Remarks
M1180-0A	押棒	Presser Bar	1	1	
M1181-0A	押棒托桿	Presser Bar Lifter Lever	1	1	
M1183-0A	押棒托架	Presser Bar Lifter Bracket	1	1	
M1184-0A	壓縮彈簧	Presser Bar Spring	1	1	
M1185-0A	押棒固定板	Presser Foot Side Plates	2	2	
M1186-0A	押腳彈簧板	Presser Foot Spring	1	1	
M1187-0A	押腳軸掛鈎	Presser Foot Shaft Hook Metal	1	1	
M1200-0A	押棒提桿	Presser Bar Lifter	1	1	
M1231-0A	押腳	Presser Foot	1	1	
M1234-0A	押腳軸	Presser Foot Shaft	1	1	
YA050180	平行銷	Pin	1	1	
ZMK05004	螺絲	Screw (M5-0.9x11)	1	1	
ZSA09006	螺絲	Screw (9/64-40x10)	4	4	
ZSB12012	螺絲	Screw (3/16-28x15)	2	2	
ZSB15033	螺絲	Screw (15/64-28x23)	1	1	
ZSB32001	螺絲	Screw (1/2-28x13.5)	1	1	
ZSG12025	螺絲	Screw (3/16-26)	1	1	
ZSG12026	螺絲	Screw (3/16-32)	1	1	
ZSK15009	螺絲	Screw (15/64-28)	1	1	
ZSK15011	螺絲	Screw (15/64-28)	1	1	
ZSN15002	螺帽	Nut (15/64-28x12)	1	1	
ZSQ12001	螺絲	Screw (3/16-28x5.4)	2	2	

C. CS-747/747L

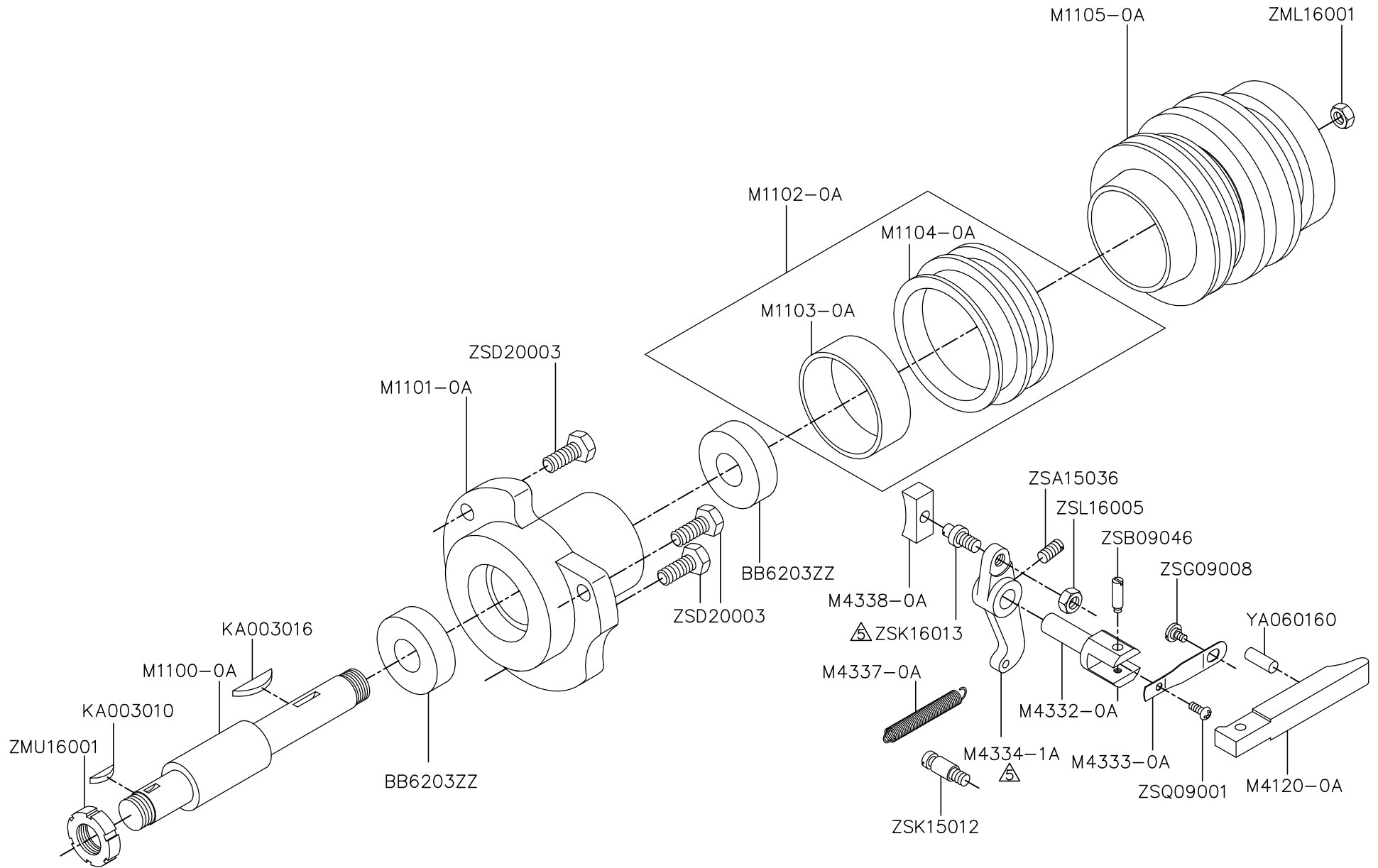
刀軸機構

KNIFE SHAFT MECHANISM



C. CS-747/747L 刀軸機構 KNIFE SHAFT MECHANISM

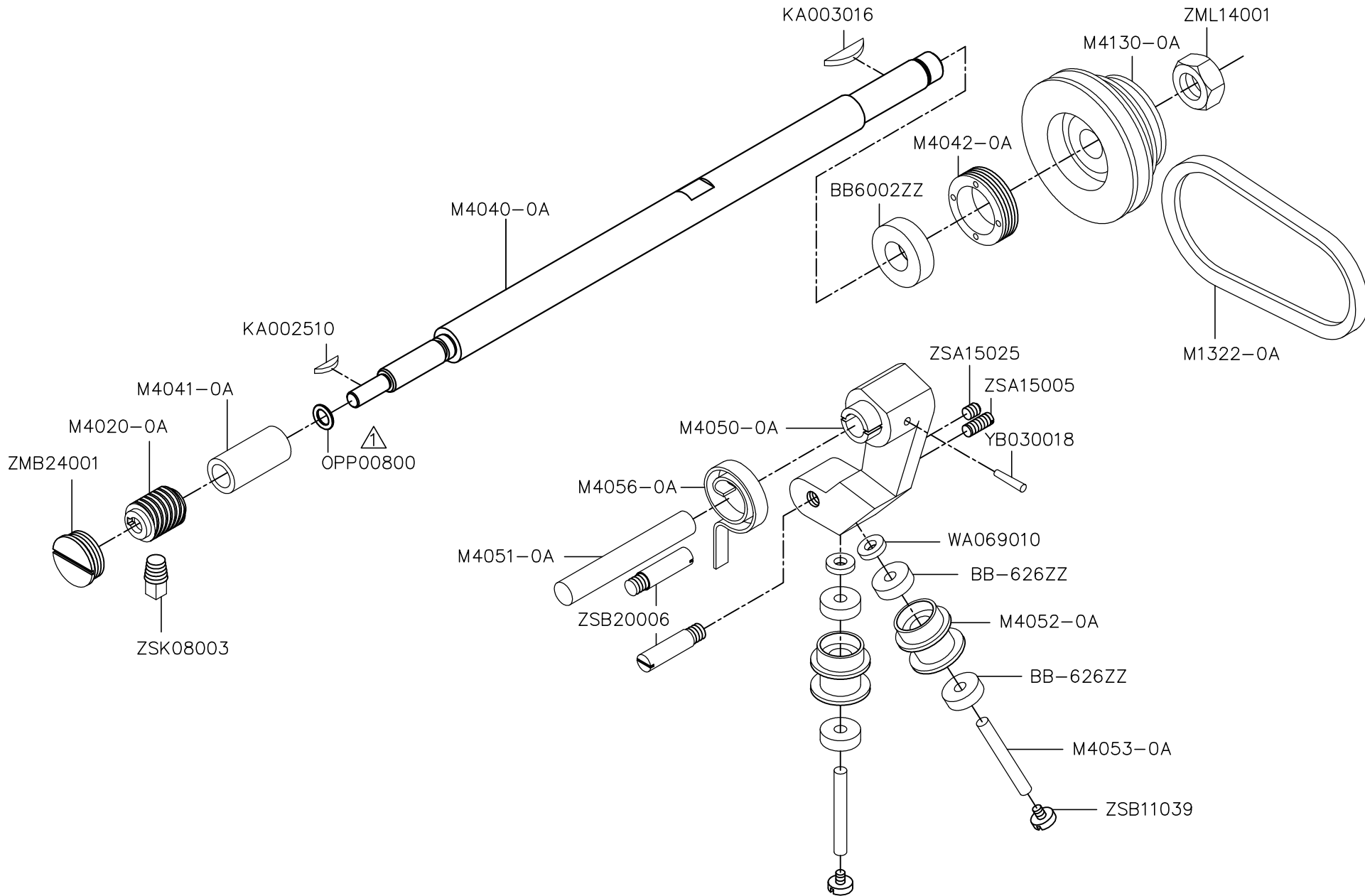
零件號碼 Part No	零件名稱	Name of Part	件數 Q, TY		備註 Remarks
			747	747L	
BB6004ZZ	滾珠軸承	Ball Bearing	2	2	
BB6203ZZ	滾珠軸承	Ball Bearing	1	1	
KA003013	半圓形鍵	Knife Shaft Key	1	1	
M1106-0A	聯結板(右)	Pulley Shaft Flange	1	1	
M1107-0A	固定軸	Flange Shafts	2	2	
M1108-0A	聯結板組	Pulley Shaft Flange Asm.	1	1	
M1315-0A	刀片調整把手	Knife Adjusting Handle	1	1	
M1316-0A	刀片調整球形柄	Knife Adjusting Knob	1	1	
M1317-0A	刀片調整把手柄	Knife Adjusting Handle Knob	1	1	
M4010-1A	刀軸	Knife Shaft	1	1	
M4012-1A	刀軸套筒	Knife Shaft Lead Pipe	1	1	
M4013-0A	聯結板(左)	Pulley Shaft Flange Holder	1	1	
M4014-0A	刀軸套筒鍵	Knife Shaft Lead Pipe Key	1	1	
M4015-0A	優力膠襯套	Rubber Bushings	2	2	
M4016-1A	墊圈	Washer	1	1	
M4017-1A	防鬆螺帽	Nut	1	1	
M4025-1A	刀軸蝸桿	Knife Shaft Worm	1	1	
M4026-1A	刀軸蝸桿	Knife Shaft Worm	1	1	
M6110-0A	刀片	Knife	1	1	
M6111-0A	刀片盤組	Knife Inner Cover	1	1	
M6112-0A	刀片內蓋	Knife Inner Cover	1	1	
M6113-0A	刀片內蓋導銷	Knife Insert Pin	1	1	
M6114-0A	固定板	Fixing Plate	1	1	
YA030110	平行銷	Pin	1	1	
YA040060	平行銷	Pin	1	1	
YB030018	推拔銷	Taper Pin	1	1	
ZMB06002	螺絲	Screw (M6-1.0x10)	4	4	
ZMJ05003	螺絲	Screw (M5-0.8x15)	1	1	
ZSA18003	螺絲	Screw (9/32-28x19)	2	2	
ZSA18004	螺絲	Screw (9/32-28x4.5)	2	2	



C. CS-747/747L 刀軸機構 KNIFE SHAFT MECHANISM

零件號碼 Part No	零件名稱	Name of Part	件數 747	Q, TY 747L	備註 Remarks
BB6203ZZ	滾珠軸承 -----	Pulley Shaft Bearings -----	2	2	
KA003010	半圓形鍵 -----	Pulley Shaft Key (Small) -----	1	1	
KA003016	半圓形鍵 -----	Pulley Shaft Key (large) -----	1	1	
M1100-0A	V皮帶輪軸 -----	Pulley Shaft -----	1	1	
M1101-0A	V皮帶輪軸套管 -----	Pulley Shaft Metal -----	1	1	
M1102-0A	離合器組 -----	Clutch Assy. -----	1	1	
M1103-0A	離合器墊環 -----	Clutch Bushing -----	1	1	
M1104-0A	離合器 -----	Clutch -----	1	1	
M1105-0A	V皮帶輪 -----	Pulley -----	1	1	
M4120-0A	離合器把手 -----	Clutch Lever -----	1	1	
M4332-0A	離合器把手軸 -----	Clutch Lever Shaft -----	1	1	
M4333-0A	離合器彈簧板 -----	Clutch Lever Spring -----	1	1	
M4334-1A	離合器臂 -----	Clutch Arm -----	1	1	
M4337-0A	離合器拉伸彈簧 -----	Clutch Spring -----	1	1	
M4338-0A	滑動塊 -----	Clutch Slide Block -----	1	1	
YA060160	平形銷 -----	Pin -----	1	1	
ZML16001	螺帽 -----	Nut (M16-1.5x7) -----	1	1	
ZMU16001	螺帽 -----	Nut (M16-1.5x7) -----	1	1	
ZSA15036	螺絲 -----	Screw (15/64-28x11) -----	1	1	
ZSB09046	螺絲 -----	Screw (9/64-40x3) -----	1	1	
ZSD20003	螺絲 -----	Screw (5/16-24x13) -----	3	3	
ZSG09008	螺絲 -----	Screw (9/64-40) -----	1	1	
ZSK15012	螺絲 -----	Screw (15/64-28) -----	1	1	
ZSK16013	螺絲 -----	Screw (1/4-40) -----	1	1	
ZSL16005	螺帽 -----	Nut (1/4-40x4) -----	1	1	
ZSQ09001	螺絲 -----	Screw (9/64-40x6) -----	1	1	

D. CS-747/747L 送料與磨刀機構 FEEDING MECHANISM AND KNIFE GRINDING MECHANISM



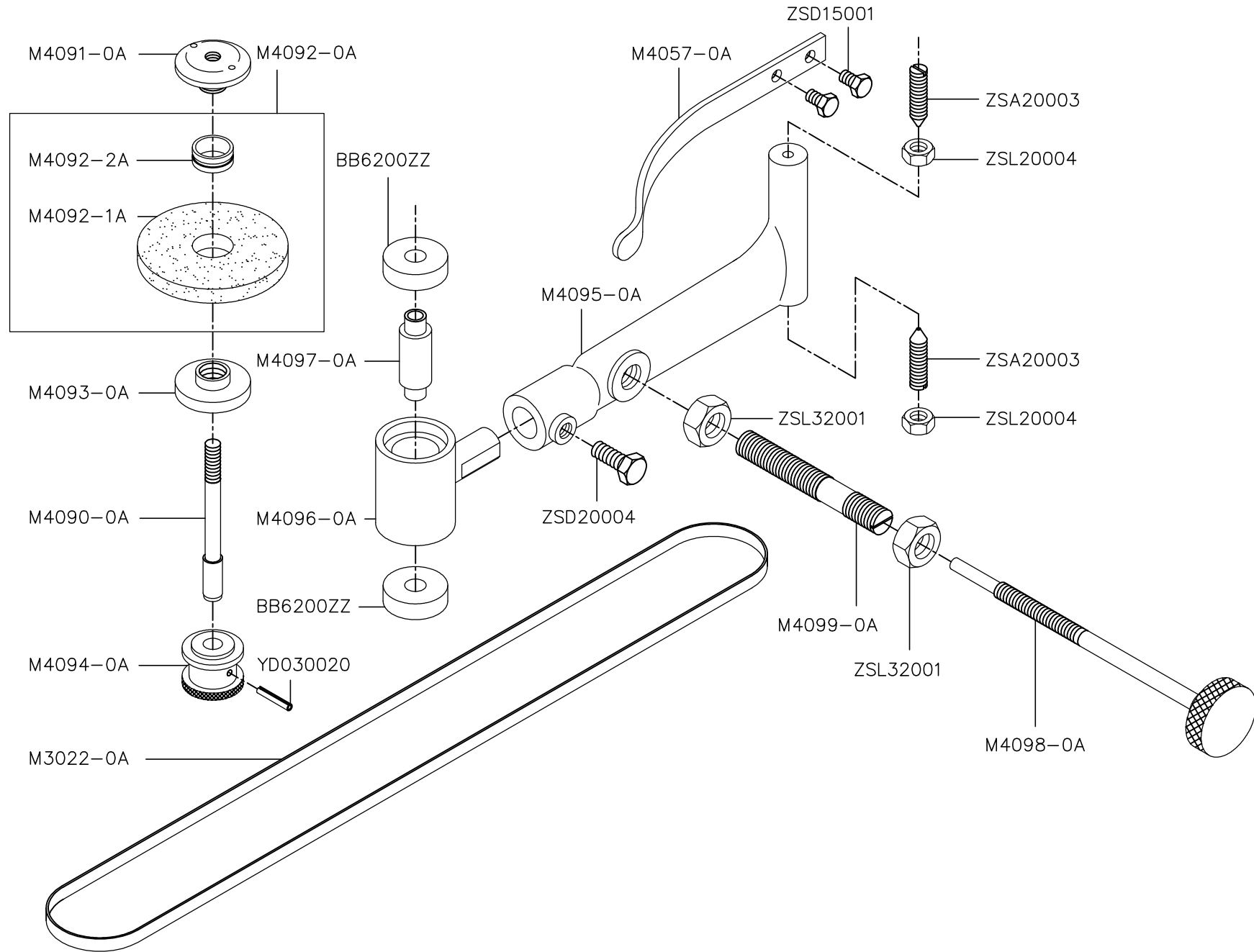
D. CS-747/747L 送料與磨刀機構 FEEDING MECHANISM AND KNIFE GRINDING MECHANISM

零件號碼 Part No	零件名稱	Name of Part	件數 Q, TY		備註 Remarks
			747	747L	
BB6002ZZ	滾珠軸承 -----	Pulley Shaft Bearings -----	1	1	
BB-626ZZ	滾珠軸承 -----	Pulley Shaft Bearings -----	4	4	
KA002510	半圓形鍵 -----	Knife Shaft Key -----	1	1	
KA003016	半圓形鍵 -----	Knife Shaft Key -----	1	1	
M1322-0A	橫軸 V 皮帶 -----	Main Shaft Belt -----	1	1	
M4020-0A	橫軸齒輪 -----	Main Shaft Worm Gear -----	1	1	
M4040-0A	橫軸 -----	Main Shaft -----	1	1	
M4041-0A	橫軸前套管 -----	Main Shaft Front Bushing -----	1	1	
M4042-0A	押緊軸承螺絲 -----	Main Shaft Beaming Holder Screw -----	1	1	
M4050-0A	平皮帶定位托架 -----	Belt Guide Bracket -----	1	1	
M4051-0A	平皮帶定位托架軸 -----	Belt Guide Bracket Shaft -----	1	1	
M4052-0A	平皮帶輪 -----	Belt Guide Pulleys -----	2	2	
M4053-0A	平皮帶輪軸 -----	Belt Guide Pulley Shafts -----	2	2	
M4056-0A	平皮帶托架彈簧 -----	Belt Guide Bracket Spring -----	1	1	
M4130-0A	V 型皮帶輪 -----	Main Shaft Pulley -----	1	1	
OPP00800	O 形環 -----	O-ring -----	1	1	
WA069010	平墊圈 -----	Washer -----	2	2	
YB030018	推拔銷 -----	Taper Pin -----	1	1	
ZMB24001	螺絲 -----	Screw (M24-1.0x7) -----	1	1	
ZML14001	螺帽 -----	Nut (M14-1.5x8) -----	1	1	
ZSA15005	螺絲 -----	Screw (15/64-28x13) -----	1	1	
ZSA15025	螺絲 -----	Screw (15/64-28x6) -----	1	1	
ZSB11039	螺絲 -----	Screw (11/64-40x5.5) -----	2	2	
ZSB20006	螺絲 -----	Screw (5/16-24x8) -----	2	2	
ZSK08003	螺絲 -----	Screw (1/8-28) -----	1	1	

E. CS-747/747L

磨刀機構

KNIFE GRINDING MECHANISM



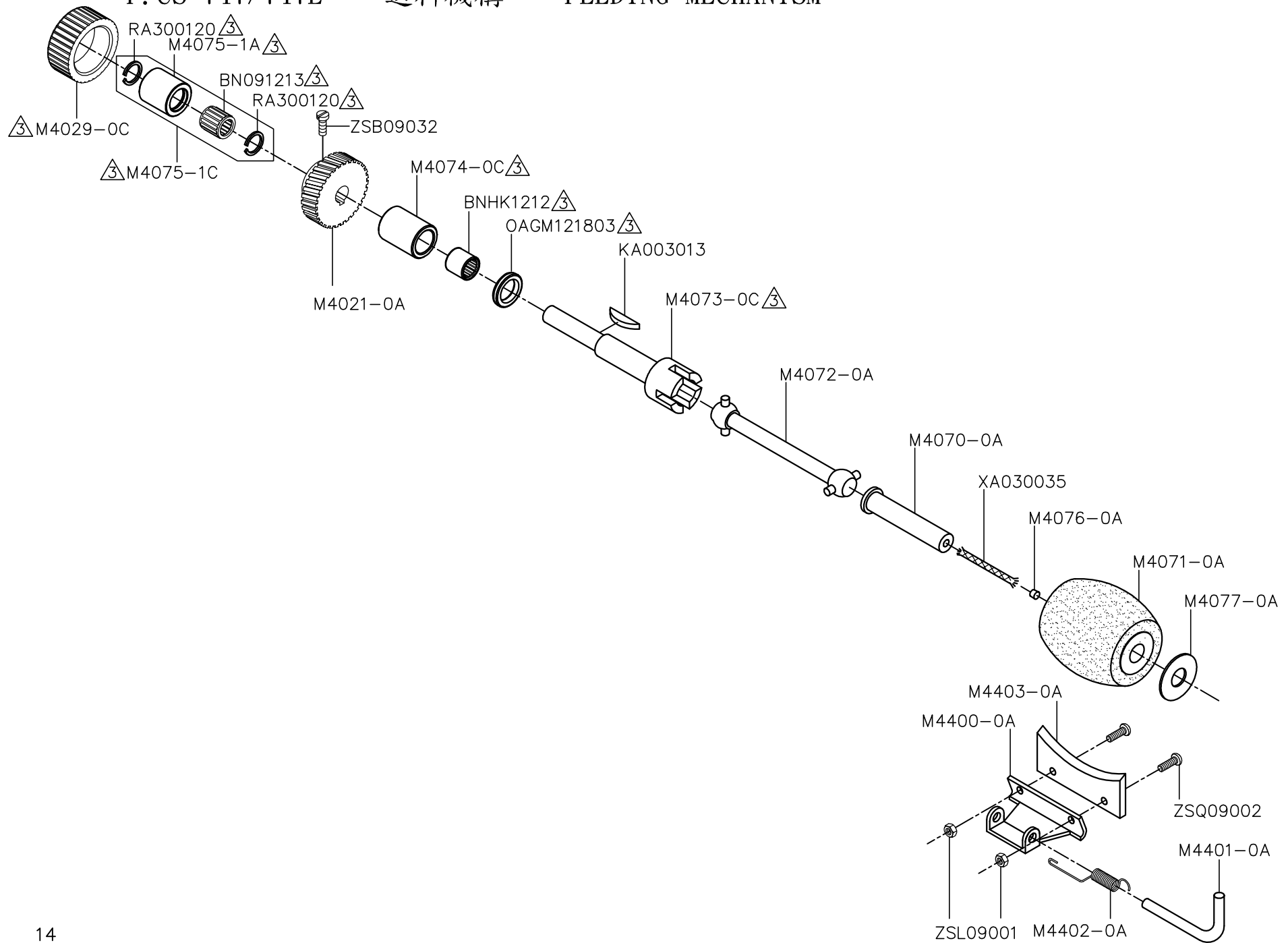
E. CS-747/747L 磨刀機構 KNIFE GRINDING MECHANISM

零件號碼 Part No	零件名稱	Name of Part	件數 Q, TY		備註 Remarks
			747	747L	
BB6200ZZ	滾珠軸承	Pulley Shaft Bearings	2	2	
M3022-0A	磨刀石軸平皮帶	Grindstone Shaft Belt	1	1	
M4057-0A	磨刀石軸托架臂彈簧	Grindstone Shaft Bracket Arm Spring	1	1	
M4090-0A	磨刀石軸	Grindstone Shaft	1	1	
M4091-0A	磨刀石固定螺絲	Grindstone Set Screw	1	1	
M4092-0A	磨刀石	Grindstone	1	1	
M4092-1A	砥石	Grindstone	1	1	
M4092-2A	砂輪鉛套	Grindstone Hub	1	1	
M4093-0A	磨刀石固定螺帽	Grindstone Set Nut	1	1	
M4094-0A	磨刀石軸平皮帶輪	Grindstone Shaft Pulley	1	1	
M4095-0A	磨刀石軸托架臂	Grindstone Shaft Bracket Arm	1	1	
M4096-0A	磨刀石軸托架	Grindstone Shaft Bracket	1	1	
M4097-0A	磨刀石軸定位柱	Grindstone Shaft Bearing Holding Roller	1	1	
M4098-0A	磨刀石軸調整螺絲	Grindstone Adjusting Screw	1	1	
M4099-0A	磨刀石軸調整螺樁	Grindstone Adjusting Screw Pipe	1	1	
YD030020	彈簧銷	Spring	1	1	
ZSA20003	螺絲	Screw (5/16-24x32)	2	2	
ZSD15001	螺絲	Screw (15/64-28x14)	2	2	
ZSD20004	螺絲	Screw (5/16-24x13)	1	1	
ZSL20004	螺帽	Nut (5/16-24x7)	2	2	
ZSL32001	螺帽	Nut (1/2-28x7)	2	2	

F. CS-747/747L

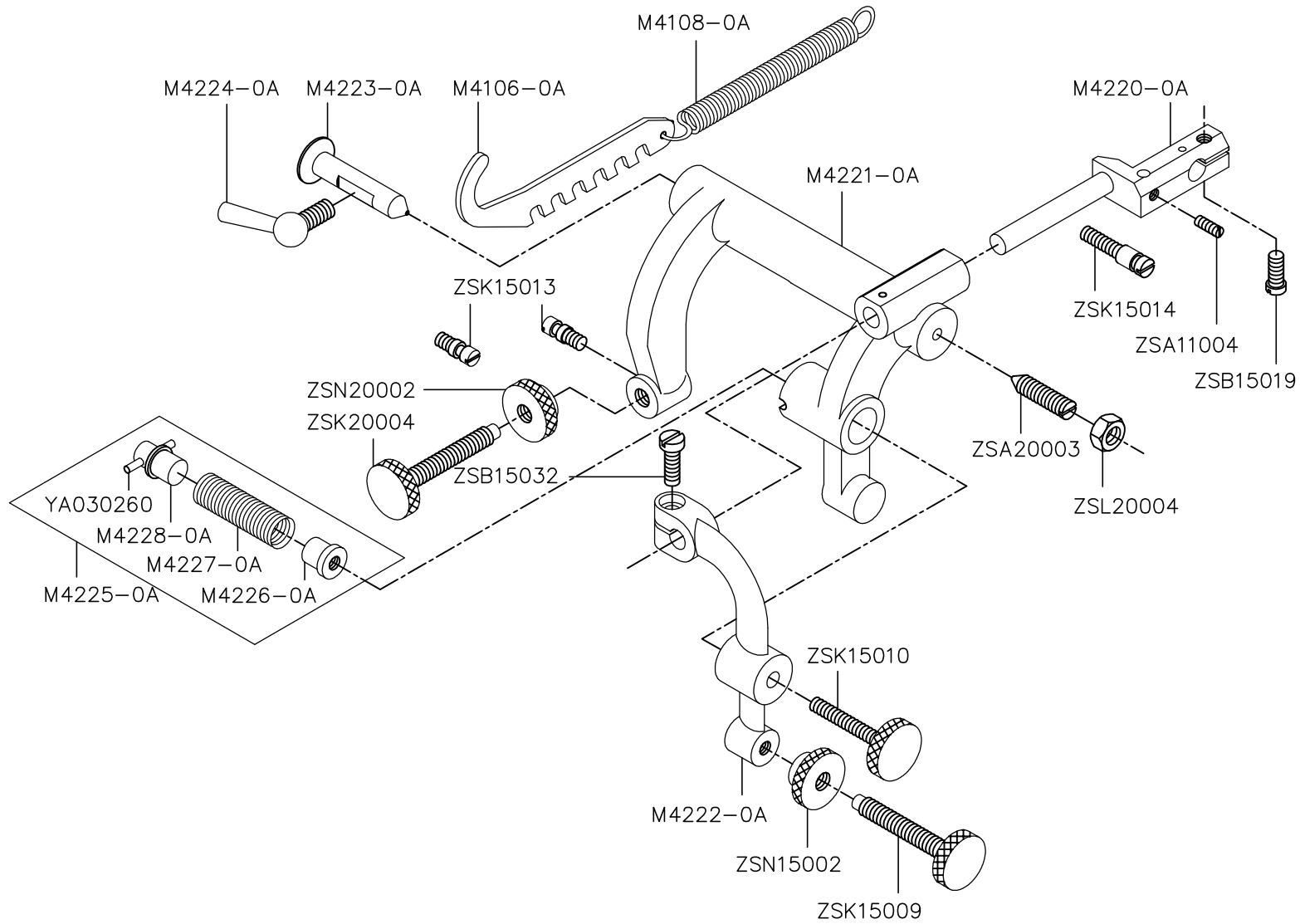
送料機構

FEEDING MECHANISM



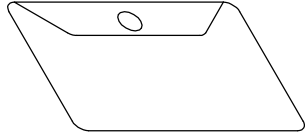
F.CS-747/747L 送料機構 FEEDING MECHANISM

零件號碼 Part No	零件名稱	Name of Part	件數 747	Q, TY 747L	備註 Remarks
BN091213	針狀軸承 -----	Needle Bearing -----	1	1	
BNHK1212	針狀軸承 -----	Needle Bearing -----	1	1	
KA003013	半圓形鍵 -----	Pulley Shaft Bearings -----	1	1	
M4021-0A	蝸輪 -----	Main Shaft Worm Gear Wheel -----	1	1	
M4029-0C	螺帽 -----	Nut -----	1	1	
M4070-0A	滾輪軸 -----	Roller Shaft -----	1	1	
M4071-0A	滾輪 -----	Roller -----	1	1	
M4072-0A	驅動軸連接桿 -----	Roller Driving Shaft Join -----	1	1	
M4073-0C	滾輪驅動軸 -----	Roller Driving Shaft -----	1	1	
M4074-0C	驅動軸套管(1) -----	Roller Driving Shaft Metal (1) -----	1	1	
M4075-1A	驅動軸套管(2) -----	Roller Driving Shaft Metal (2) -----	1	1	
M4075-1C	驅動軸套管組 -----	Roller Driving Shaft Metal Asm. -----	1	1	
M4076-0A	塞頭 -----	Roller Shaft Oil Seal Plug -----	1	1	
M4077-0A	平墊圈 -----	Roller Washer -----	1	1	
M4400-0A	清除固定板 -----	Waste Clear Metal -----	1	1	
M4401-0A	固定軸 -----	Waste Clear Metal Shaft -----	1	1	
M4402-0A	彈簧 -----	Waste Clear Metal Spring -----	1	1	
M4403-0A	清除板 -----	Waste Clear Metal Leather -----	1	1	
OAGM121803	油封 -----	Oil Seal -----	1	1	
RA300120	C扣環 -----	C-ring -----	2	2	
XA030035	油線 -----	Wick -----	1	1	
ZSB09032	螺絲 -----	Screw (9/64-40x8.5) -----	1	1	
ZSL09001	螺帽 -----	Nut (9/64-40x3) -----	2	2	
ZSQ09002	螺絲 -----	Screw (9/64-40x9.5) -----	2	2	

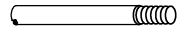


G. CS-747/747L 送料調整機構 FEED REGULATING MECHANISM

零件號碼 Part No	零件名稱	Name of Part	件數 747	Q, TY 747L	備註 Remarks
M4106-0A	拉伸彈簧掛鉤	Roller Bracket Arm Spring Hook Metal	1	1	
M4108-0A	拉伸彈簧	Roller Bracket Arm Spring	1	1	
M4220-0A	滾輪托架	Roller Bracket	1	1	
M4221-0A	滾輪托架臂	Roller Bracket Arm	1	1	
M4222-0A	滾輪托架回轉臂	Roller Bracket Turning Arm	1	1	
M4223-0A	托架臂中心銷	Roller Bracket Arm Center Pin	1	1	
M4224-0A	固定螺絲	Roller Bracket Arm center Pin Screw	1	1	
M4225-0A	拉伸彈簧組	Roller Bracket Turning Arm Spring	1	1	
M4226-0A	調整螺帽	Adjusting Nut	1	1	
M4227-0A	拉伸彈簧	Tension Spring	1	1	
M4228-0A	彈簧座	Spring Holder	1	1	
YA030260	平行銷	Pin	1	1	
ZSA11004	螺絲	Screw (11/64-40x3.5)	1	1	
ZSA20003	螺絲	Screw (5/16-24x32)	1	1	
ZSB15019	螺絲	Screw (15/64-28x9)	1	1	
ZSB15032	螺絲	Screw (15/64-28x14)	1	1	
ZSK15009	螺絲	Screw (15/64-28)	1	1	
ZSK15010	螺絲	Screw (15/64-28)	1	1	
ZSK15013	螺絲	Screw (15/64-28)	2	2	
ZSK15014	螺絲	Screw (15/64-28)	1	1	
ZSK20004	螺絲	Screw (5/16-24)	1	1	
ZSL20004	螺帽	Nut (5/16-24x7)	1	1	
ZSN15002	螺帽	Nut (15/64-28x12)	1	1	
ZSN20002	螺帽	Nut (5/16-24x11)	1	1	



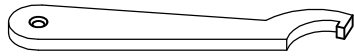
A7000-0A



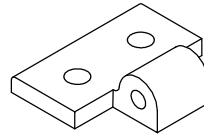
M7021-0A



M7117-0A



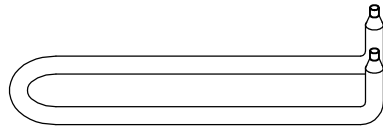
M7143-0A



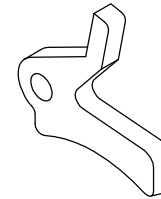
M7022-0A



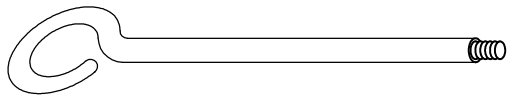
ZMT06001



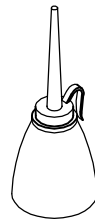
M7142-0A



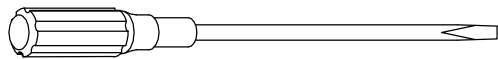
M1231-0A



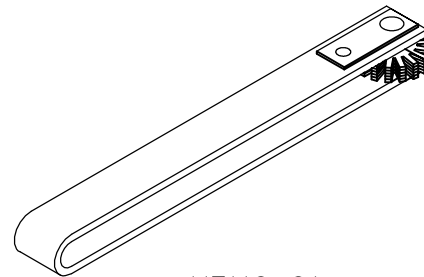
M7144-0A



A7012-1A



A7010-2A



M7110-0A

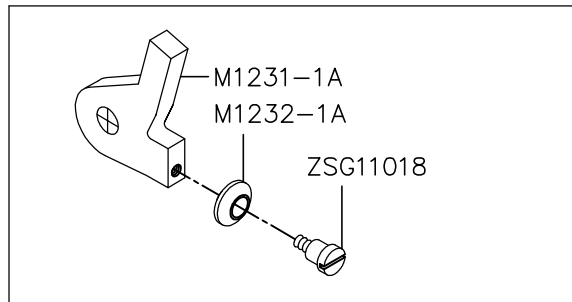
H. CS-747/747L 附件 ACCESSORIES

零件號碼 Part No	零件名稱	Name of Part	件數 Q, TY		備註 Remarks
			747	747L	
A7000-0A	工具袋 -----	Accessory Bag -----	1	1	
A7010-2A	螺絲起子(大) -----	Driver (Large) -----	1	1	
A7012-1A	油壺(中) -----	Oiler (Middle) -----	1	1	
M1231-0A	押板 -----	Pulley Shaft Flange Screws -----	1	1	
M7021-0A	後鈕固定銷 -----	Hinge Pins -----	2	2	
M7022-0A	後鈕座 -----	Hinges -----	2	2	
M7110-0A	磨刀石修平器 -----	Grindstone Dresser -----	1	1	
M7117-0A	磨刀石棒組 -----	Bar Type Grindstone -----	1	1	
M7142-0A	磨刀石起子 -----	Grindstone Nut Spanner -----	1	1	
M7143-0A	刀軸螺帽板手 -----	Knife Shaft Spanner -----	1	1	
M7144-0A	刀片蓋棒 -----	Knife Inner Cover Remover -----	1	1	
ZMT06001	木螺絲 -----	Screw (M6x25) -----	4	4	

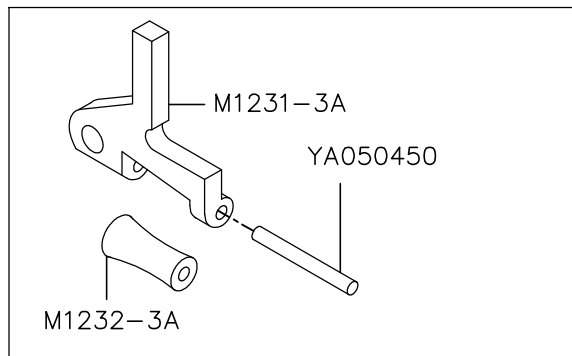
I. CS-747/747L

特別配件組

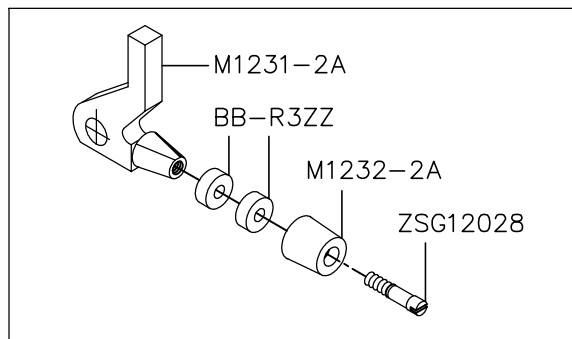
SPECIAL PARTS



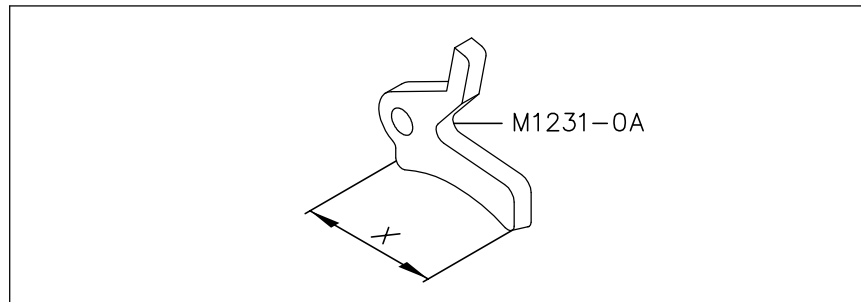
M1230-1A



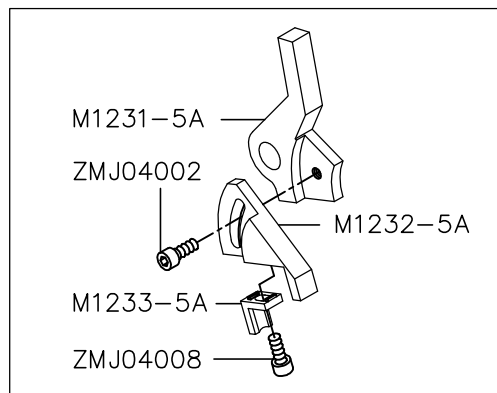
M1230-3A



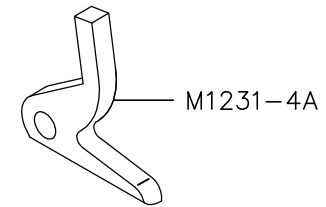
M1230-2A



NO.	X SPECIFICATION	PART NO.
A	56	M1231-010A
B	40	M1231-020A
C	30	M1231-030A
D	25	M1231-040A
E		M1231-050A



M1230-5A



I. CS-747/747L 特別配件組 SPECIAL PARTS

零件號碼 Part No	零件名稱	Name of Part	件數 747	Q, TY 747L	備註 Remarks
BB-R3ZZ	滾珠軸承	Pulley Shaft Bearings	1	1	
M1230-1A	押腳組	Presser Foot Asm.	1	1	
M1230-2A	押腳組	Presser Foot Asm.	1	1	
M1230-3A	押腳組	Presser Foot Asm.	1	1	
M1230-5A	押腳組	Presser Foot Asm.	1	1	
M1231-010A	押腳 A	Presser Foot A	1	1	
M1231-020A	押腳 B	Presser Foot B	1	1	
M1231-030A	押腳 C	Presser Foot C	1	1	
M1231-040A	押腳 D	Presser Foot D	1	1	
M1231-050A	押腳 E	Presser Foot E	1	1	
M1231-0A	押腳	Presser Foot	1	1	
M1231-1A	押板	Presser Foot	1	1	
M1231-2A	押板	Presser Foot	1	1	
M1231-3A	押板	Presser Foot	1	1	
M1231-4A	押板	Presser Foot	1	1	
M1231-5A	押板	Presser Foot	1	1	
M1232-1A	滾輪	Roller	1	1	
M1232-2A	滾輪	Roller	1	1	
M1232-3A	滾輪	Roller	1	1	
M1232-5A	滑動板	Slide Plate	1	1	
M1233-5A	固定塊	Block	1	1	
YA050450	平行銷	Pin	1	1	
ZMJ04002	螺絲	Screw (M4-0.7x10)	1	1	
ZMJ04008	螺絲	Screw (M4-0.7x6)	1	1	
ZSG11018	螺絲	Screw (11/64-40)	1	1	
ZSG12028	螺絲	Screw (3/16-24)	1	1	

J. CS-747/747L 零件號碼與頁數對照 NUMERICAL PARTS-LIST

零件號碼 PARTS NO.	頁數 PAGE	零件號碼 PARTS NO.	頁數 PAGE	零件號碼 PARTS NO.	頁數 PAGE	零件號碼 PARTS NO.	頁數 PAGE	零件號碼 PARTS NO.	頁數 PAGE
A7000-0A	18	M1183-0A	4	M3000-0A	2	M4074-0C	14	M4226-0A	16
A7010-2A	18	M1184-0A	4	M3022-0A	12	M4075-1A	14	M4227-0A	16
A7012-1A	18	M1185-0A	4	M4010-1A	6	M4075-1C	14	M4228-0A	16
BB6002ZZ	10	M1186-0A	4	M4012-1A	6	M4076-0A	14	M4332-0A	8
BB6004ZZ	6	M1187-0A	4	M4013-0A	6	M4077-0A	14	M4333-0A	8
BB6200ZZ	12	M1200-0A	4	M4014-0A	6	M4080-0A	2	M4334-1A	8
BB6203ZZ	6, 8	M1230-1A	20	M4015-0A	6	M4081-0A	2	M4337-0A	8
BB-626ZZ	10	M1230-2A	20	M4016-1A	6	M4082-0A	2	M4338-0A	8
BB-R3ZZ	20	M1230-3A	20	M4017-1A	6	M4087-0A	2	M4400-0A	14
BN091213	14	M1230-5A	20	M4020-0A	10	M4090-0A	12	M4401-0A	14
BNHK1212	14	M1231-010A	20	M4021-0A	14	M4091-0A	12	M4402-0A	14
KA002510	10	M1231-020A	20	M4025-1A	6	M4092-0A	12	M4403-0A	14
KA003010	8	M1231-030A	20	M4026-1A	6	M4092-1A	12	M4404-0A	2
KA003013	6, 14	M1231-040A	20	M4027-0A	2	M4092-2A	12	M4406-0A	2
KA003016	8, 10	M1231-050A	20	M4028-0A	2	M4093-0A	12	M6110-0A	6
M1000-0A	2	M1231-0A	4, 18, 20	M4029-0C	14	M4094-0A	12	M6111-0A	6
M1010-0A	2	M1231-1A	20	M4040-0A	10	M4095-0A	12	M6112-0A	6
M1011-0A	2	M1231-2A	20	M4041-0A	10	M4096-0A	12	M6113-0A	6
M1012-0B	2	M1231-3A	20	M4042-0A	10	M4097-0A	12	M6114-0A	6
M1014-0A	2	M1231-4A	20	M4045-0A	2	M4098-0A	12	M7021-0A	18
M1100-0A	8	M1231-5A	20	M4046-0A	2	M4099-0A	12	M7022-0A	18
M1101-0A	8	M1232-1A	20	M4050-0A	10	M4106-0A	16	M7110-0A	18
M1102-0A	8	M1232-2A	20	M4051-0A	10	M4108-0A	16	M7117-0A	18
M1103-0A	8	M1232-3A	20	M4052-0A	10	M4120-0A	8	M7142-0A	18
M1104-0A	8	M1232-5A	20	M4053-0A	10	M4130-0A	10	M7143-0A	18
M1105-0A	8	M1233-5A	20	M4056-0A	10	M4220-0A	16	M7144-0A	18
M1106-0A	6	M1234-0A	4	M4057-0A	12	M4221-0A	16	OAGM121803	14
M1107-0A	6	M1315-0A	6	M4070-0A	14	M4222-0A	16	OPP00800	10
M1108-0A	6	M1316-0A	6	M4071-0A	14	M4223-0A	16	RA300120	14
M1180-0A	4	M1317-0A	6	M4072-0A	14	M4224-0A	16	WA069010	10
M1181-0A	4	M1322-0A	10	M4073-0C	14	M4225-0A	16	WA069012	2

J. CS-747/747L 零件號碼與頁數對照 NUMERICAL PARTS-LIST

零件號碼 PARTS NO.	頁數 PAGE	零件號碼 PARTS NO.	頁數 PAGE	零件號碼 PARTS NO.	頁數 PAGE	零件號碼 PARTS NO.	頁數 PAGE	零件號碼 PARTS NO.	頁數 PAGE
XA030035	14	ZSA20003	2, 12, 16	ZSL16005	8				
Y-1-01	2	ZSB09032	14	ZSL20004	2, 12, 16				
Y-2-02	2	ZSB09046	8	ZSL32001	12				
YA030110	6	ZSB11039	10	ZSN15002	2, 4, 16				
YA030260	16	ZSB12012	4	ZSN20002	16				
YA040060	6	ZSB15019	16	ZSQ09001	8				
YA050180	4	ZSB15032	16	ZSQ09002	14				
YA050450	20	ZSB15033	4	ZSQ09006	2				
YA060160	8	ZSB20006	10	ZSQ12001	4				
YB030018	6, 10	ZSB32001	4	ZSQ15002	2				
YD030020	12	ZSC09005	2						
YD060024	2	ZSC11002	2						
ZMB04074	2	ZSD09004	2						
ZMB06002	6	ZSD15001	12						
ZMB24001	10	ZSD20003	2, 8						
ZMF06001	2	ZSD20004	12						
ZMJ04002	20	ZSG09008	8						
ZMJ04008	20	ZSG11018	20						
ZMJ05003	6	ZSG12025	4						
ZMK05004	4	ZSG12026	4						
ZML14001	10	ZSG12028	20						
ZML16001	8	ZSK08003	2, 10						
ZMT06001	18	ZSK15009	4, 16						
ZMU16001	8	ZSK15010	16						
ZSA09006	4	ZSK15011	4						
ZSA11004	16	ZSK15012	8						
ZSA15005	10	ZSK15013	16						
ZSA15025	10	ZSK15014	16						
ZSA15036	8	ZSK16013	8						
ZSA18003	6	ZSK20004	16						
ZSA18004	6	ZSL09001	14						

K. CS-747/747L 本體部份 ARM BED AND ITS ACCESSORIES (全罩式)

